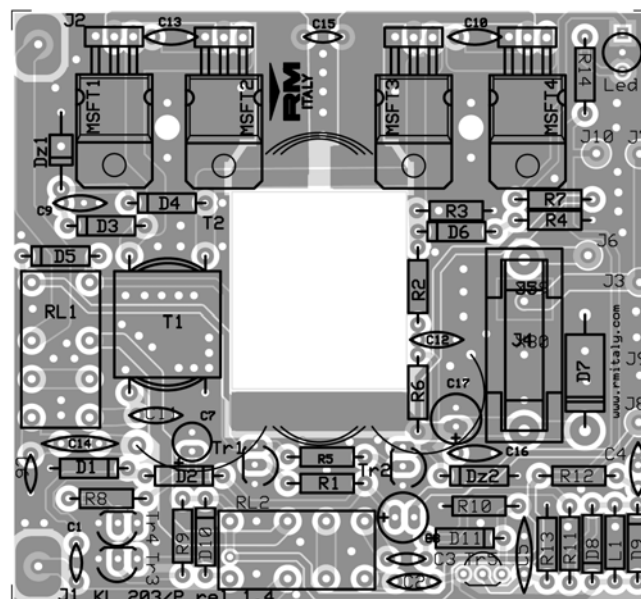
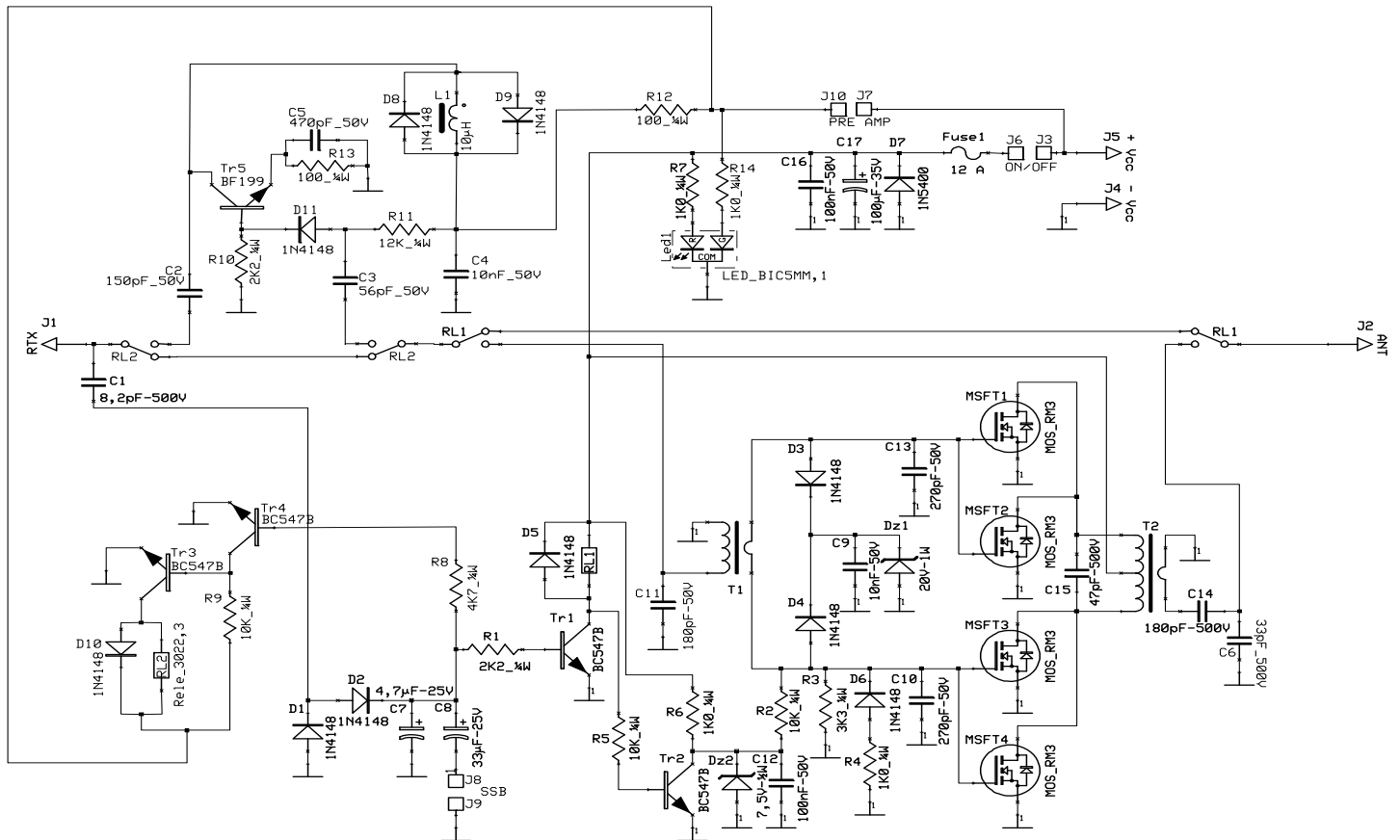


Mod. KL 203P linear amplifier

Schematic diagram

Version 1.4



List of components

C ₁ = 8.2 pF	50 V	NP0	T _{R1} = BC 547 B
C ₂ = 150 pF	50 V	NP0	T _{R2} = BC 547 B
C ₃ = 56 pF	50 V	NP0	T _{R3} = BC 547 B
C ₄ = 10 nF	50 V		T _{R4} = BC 547 B
C ₅ = 470 pF	50 V	N750	T _{R5} = BF 199
C ₆ = 33 pF	500 V		MSFT ₁ = MOS RM3
C ₇ = 4,7 μF	16 V		MSFT ₂ = MOS RM3
C ₈ = 33 μF	16 V	Conrelè Finder	MSFT ₃ = MOS RM3
C ₈ = 22 μF	16 V	Conrelè GoodSky	MSFT ₄ = MOS RM3
C ₉ = 10 nF	50 V		S ₁ = Switch (AM - SSB)
C ₁₀ = 270 pF	50 V	N750	S ₂ = Switch (ON - OFF)
C ₁₁ = 220 pF	50 V	NP0	S ₃ = Switch (PRE ON - OFF)
C ₁₂ = 100 nF	50 V		L ₁ = 10 μH
C ₁₃ = 270 pF	50 V	N750	R ₁₁ = Relè 12 V 3022.7.012
C ₁₄ = 180 pF	500 V	N750	R ₁₂ = Relè 12 V 3022.7.012
C ₁₅ = 47 pF	500V	N750	T ₁ = Input transformer
+121pF	500V	N750	T ₂ = Output transformer
C ₁₆ = 100 nF	50 V		Fuse = 12 A
C ₁₇ = 100 μF	25 V		
R ₁ = 2,2 KΩ	¼W		
R ₂ = 10 KΩ	¼W		
R ₃ = 3,3 KΩ	¼W		
R ₄ = 1,0 KΩ	¼W		
R ₅ = 10 KΩ	¼W		
R ₆ = 1,0 KΩ	¼W		
R ₇ = 1,0 KΩ	¼W		
R ₈ = 4,7 KΩ	¼W		
R ₉ = 10 KΩ	¼W		
R ₁₀ = 2,2 KΩ	¼W		
R ₁₁ = 12 KΩ	¼W		
R ₁₂ = 100 Ω	¼W		
R ₁₃ = 100 Ω	¼W		
R ₁₄ = 1.0 KΩ	¼W		
D ₁ = 1N4148			
D ₂ = 1N4148			
D ₃ = 1N4148			
D ₄ = 1N4148			
D ₅ = 1N4148			
D ₆ = 1N4148			
D ₇ = 1N5400			
D ₈ = 1N4148			
D ₉ = 1N4148			
D ₁₀ = 1N4148			
D ₁₁ = 1N4148			
Dz ₁ = Zener 20 V	1,3W		
Dz ₂ = Zener 7,5 V	½W		
Led	= Led Bicolore		