

ABBГ.123456.001 Э3

Лист № докум.

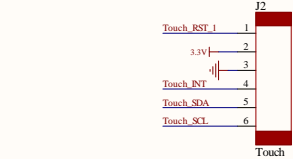
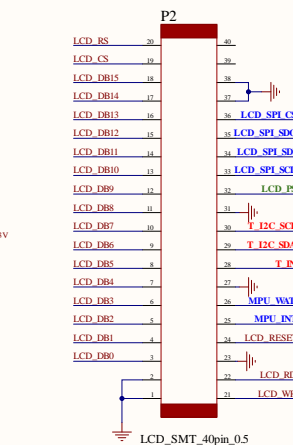
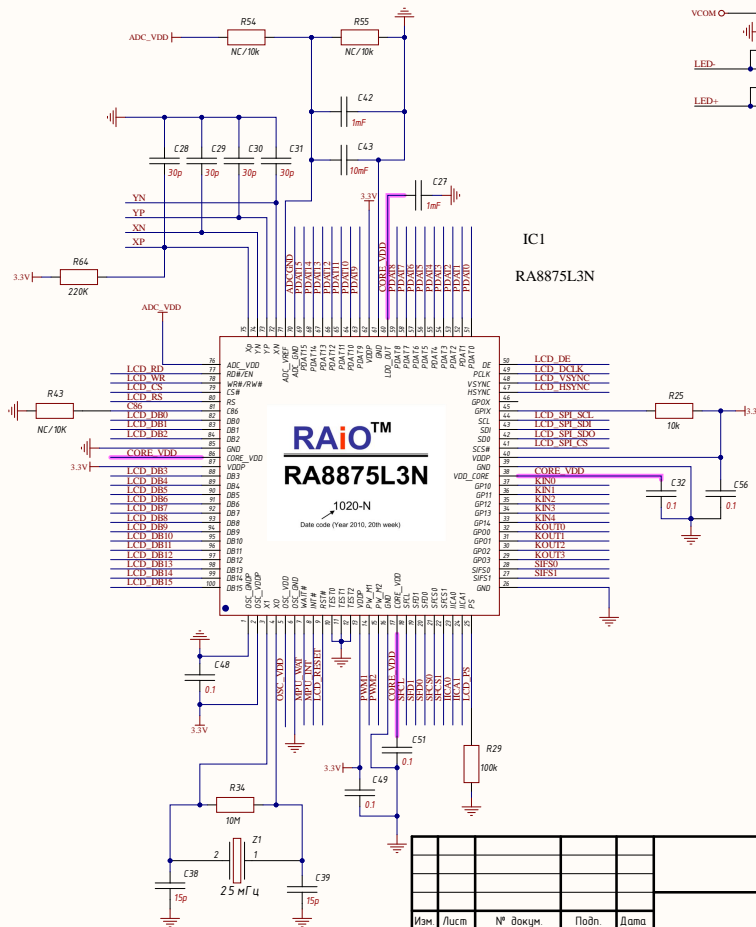
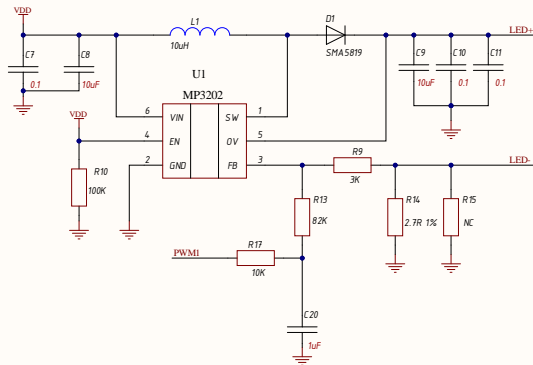
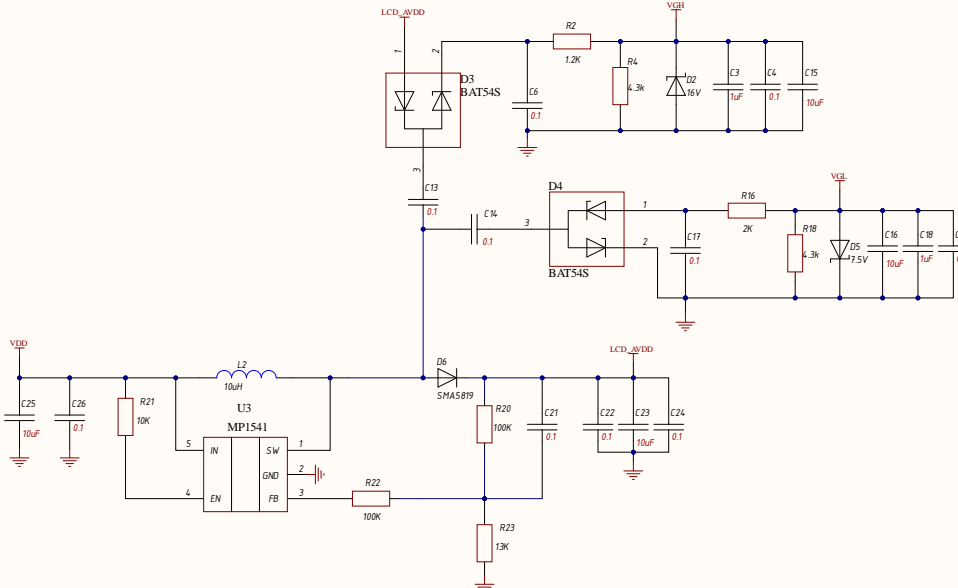
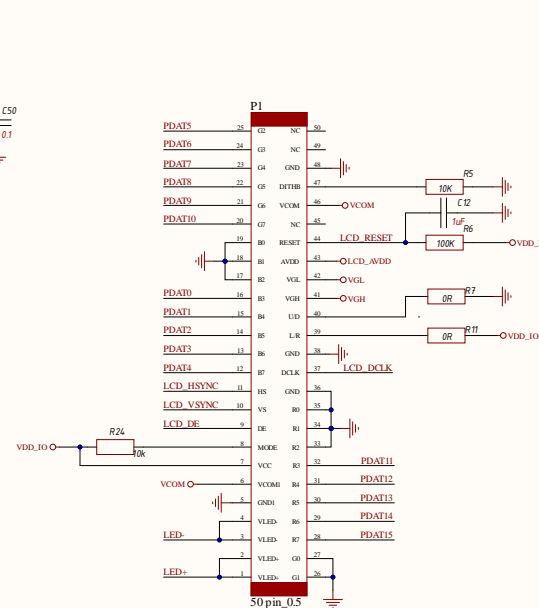
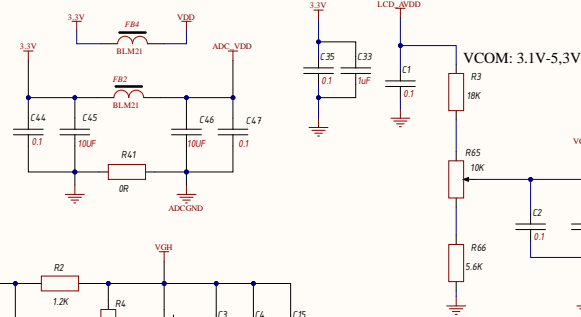
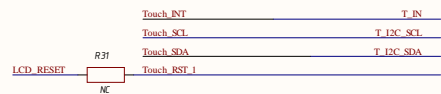
Сторона №

Подоб. и дата

Вокм. код №

Подоб. и дата

Мф. № набл.

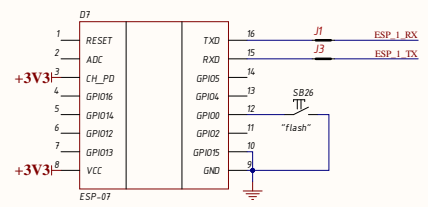
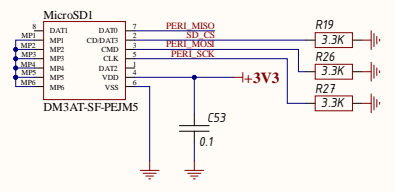
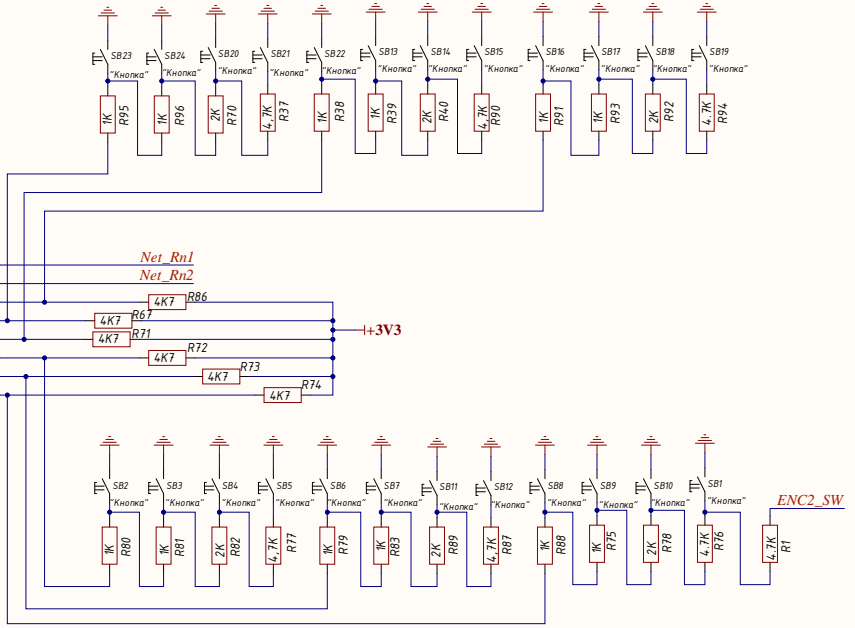
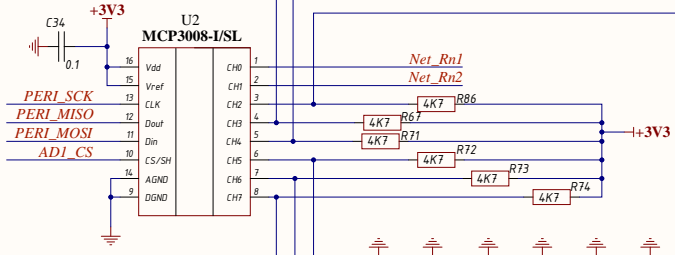
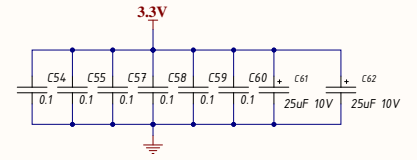
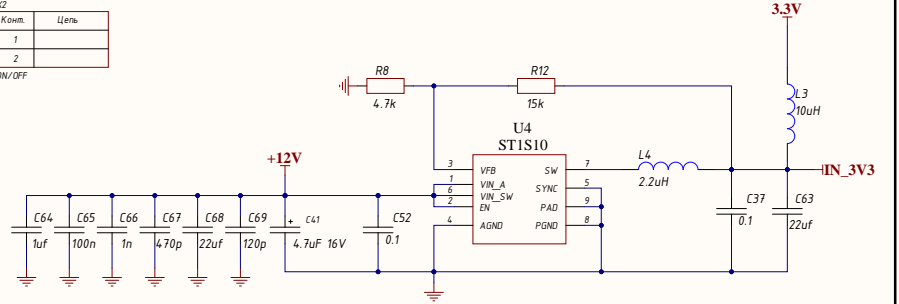
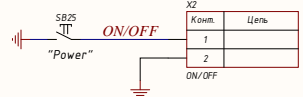
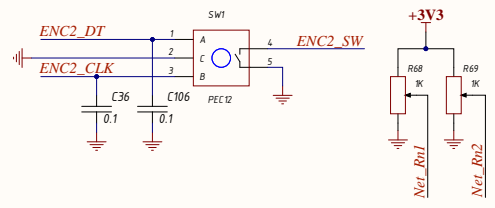


ABBГ.123456.001 Э3				
Схема электрическая принципиальная				
Изм.	Лист	№ докум.	Подоб.	Дата
Разроб.	*	*	*	*
Проб.	*	*	*	*
Т.контр.	*	*	*	*
Н.контр.	*	*	*	*
Умб.	*	*	*	*
Лист 1			Листов 2	
Формат А2			Масштаб	
Масса			11	

Цель	Комп.
1	PERI_SCK
2	PERI_MOSI
3	ENC2_CLK
4	ENC2_DT
5	SD_CS
6	ESP_1_RX
7	AD1_CS
8	PERI_MISO
9	+3V3
10	ESP_1_TX

Цель	Комп.
1	+12V

Цель	Комп.
1	-IN_3V3



Comment	Description	Designator	Footprint	LibRef	Quantity
0.1		C1, C2, C4, C6, C7, C10, C11, C13, C14, C17, C19, C21, C22, C24, C26, C32, C35, C44, C47, C48, C49, C50, C51, C56	CH0603C	Capacitor	24
1uF		C3, C12, C18, C20, C33	CH0603C	Capacitor	5
1uF/25V		C5	CH1206C	Capacitor	1
10uF		C8, C9, C15, C16, C23, C25, C45, C46	CH1206C	Capacitor	8
1mF		C27, C42	CH0603C	Capacitor	2
30p		C28, C29, C30, C31	CH0603C	Capacitor	4
0.1		C34, C36, C37, C52, C53, C54, C55, C57, C58, C59, C60, C106	CH0805C	Capacitor	12
15p		C38, C39	CH0603C	Capacitor	2
4.7uF 16V		C41	POLIMER-D	TantalCap	1
10mF		C43	CH0805C	Capacitor	1
25uF 10V		C61, C62	POLIMER-D	TantalCap	2
22uF		C63, C68	CH1210C	Capacitor	2
1uF		C64	CH0805C	Capacitor	1
100n		C65	CH0805C	Capacitor	1
1n		C66	CH0805C	Capacitor	1
470p		C67	CH0805C	Capacitor	1
120p		C69	CH0805C	Capacitor	1
SMA5819		D1, D6	SMA	Diode	2
16V		D2	SOD123	Diode Schottky	1
BAT54S		D3, D4	SOT23_132	BAT154	2
7.5V		D5	SOT123	Diode Schottky	1
ESP-07	Wi-Fi	D7	MOD: ESP-07	ESP-07	1
BLM21		FB2, FB3, FB4	CH0805L	FB_1	3
RA8875L3N		IC1	100-LQFP	RA8875	1
BOOT		J1, J3	DJumper	DJAMPER	2
Touch		J2	FFC-4PIN	6-Conn	1
10uH		L1, L2	IND: SDR0403	Inductor ring	2
10uH		L3	IND: CDRH74	Inductor ring	1
2.2uH		L4	IND: CDRH74	Inductor ring	1
DM3AT-SF-PEJMS		MicroSD1	SD-card	MicroSD	1
50 pin, 0.5		P1	FFC FPC 50	50-Conn	1
LCD_SMT_40pin_0.5		P2	FPC-40P 0.5mm	40-Conn	1
4.7K		R1, R8, R76, R94	CH0805R	Resistor	4
1.2K		R2	CH0603R	Resistor	1
18K		R3	CH0603R	Resistor	1
4.3K		R4, R18	CH0603R	Resistor	2
10K		R5, R17, R21, R24, R25	CH0603R	Resistor	5
100K		R6, R10, R20, R22, R29	CH0603R	Resistor	5
0R		R7, R11, R41	CH0603R	Resistor	3
3K		R9	CH0603R	Resistor	1
15k		R12	CH0805R	Resistor	1
82K		R13	CH0603R	Resistor	1
2.7R 1%		R14	CH0603R	Resistor	1
NC		R15, R31	CH0603R	Resistor	2
2K		R16	CH0603R	Resistor	1
3.3K		R19, R26, R27	CH0805R	Resistor	3
13K		R23	CH0603R	Resistor	1
10M		R34	CH0603R	Resistor	1
4.7K		R37, R77, R87, R90	CH0805R	Resistor	4
1K		R38, R39, R75, R79, R80, R81, R83, R88, R91, R93, R95, R96	CH0805R	Resistor	12
2K		R40, R70, R78, R82, R89, R92	CH0805R	Resistor	6
NC/10K		R43, R54, R55	CH0603R	Resistor	3
220K		R64	CH0603R	Resistor	1
10K		R65	RES: 3314G	ADJ resistor	1
5.6K		R66	CH0603R	Resistor	1
4K7		R67, R71, R72, R73, R74, R86	CH0805R	Resistor	6
1K		R68, R69	PTV09	ADJ resistor	2
"Кнопка"	6x6 mm	SB1, SB2, SB3, SB4, SB5, SB6, SB7, SB8, SB9, SB10, SB11, SB12, SB13, SB14, SB15, SB16, SB17, SB18, SB19, SB20, SB21, SB22, SB23, SB24	BUT-6x6_V1	Tactile switches	24
"Power"	6x6 mm	SB25	BUT-6x6_V1	Tactile switches	1
"Flash"	6x6 mm	SB26	BUT-5X5	Tactile switches	1
PEC12	Encoder	SW1	Valkoder-m2	PEC12	1
MP3202		U1	SOT23-6-ASM	MP3202	1
MCP3008-I/SL		U2	16-SOIC	MCP3008-I/SL	1
MP1541		U3	SOT23-5	MP1541	1
ST1S10		U4	8-SOIC (PAD)	ST1S10	1
		X1	FPC-10pin_0.5	10-Connector	1
ON/OFF		X2	CON: CWF-2	2-Connector	1
POWER 12V		X3	CON: CWF-2	2-Connector	1
POWER 3V3		X4	CON: CWF-2	2-Connector	1
25 mHz		Z1	OSC: Hz	Oscillator	1