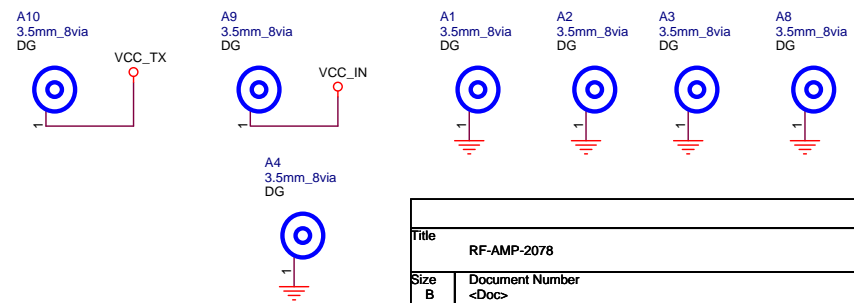
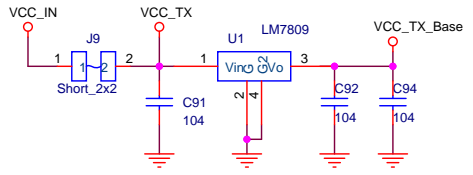
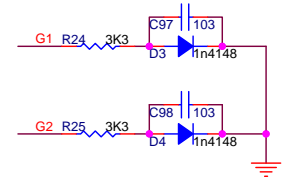
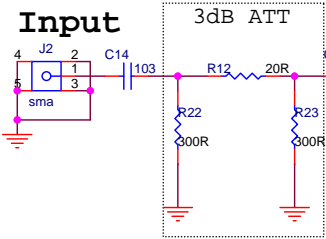
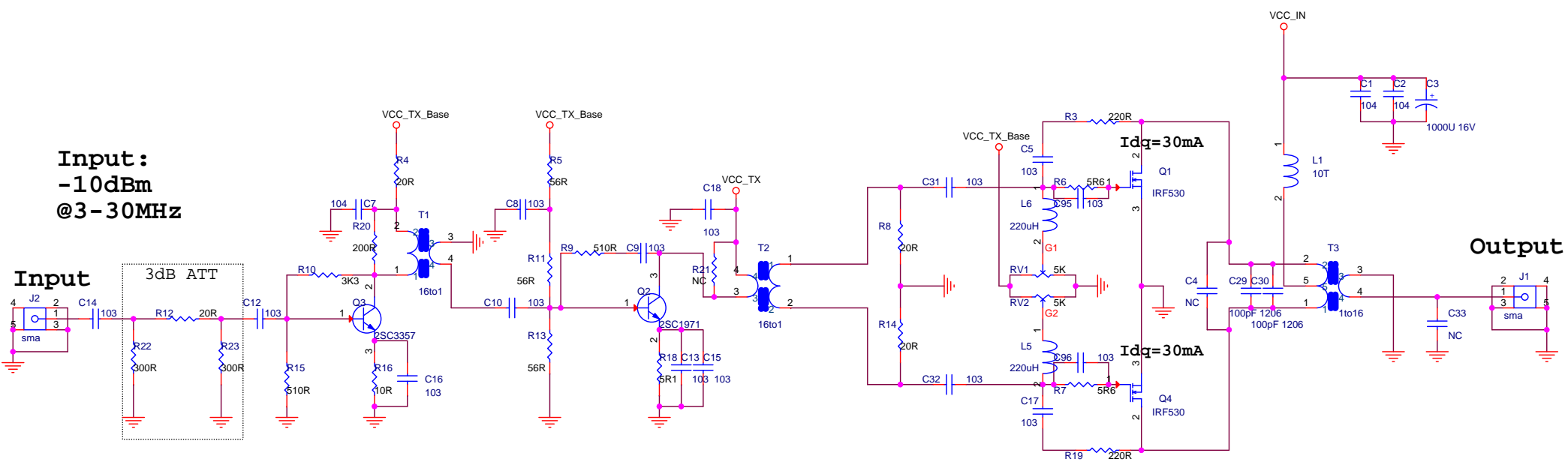


**Input:**  
**-10dBm**  
**@3-30MHz**

**POWER**  
**DC 12-15V @10A**



Title		
RF-AMP-2078		
Size	Document Number	Rev
B	<Doc>	V306
Date:	Thursday, July 07, 2016	Sheet 1 of 1