

SL640C & SL641C DOUBLE BALANCED MODULATORS

The SL640C is designed to replace the conventional diode ring modulator, in RF and other communications systems, at frequencies of up to 75MHz. It offers a performance competitive with that of the diode ring while eliminating the associated transformers and heavy carrier drive power requirements. At 30 MHz, carrier and signal leaks are typically -40dB referred to the desired output product frequency. Intermodulation products are -45dB with a 60 mV rms input signal.

The SL641C is a version of the SL640C intended primarily for use in receiver mixer applications for which it offers a lower noise figure and lower power consumption. No output load resistor is included and signal leakage is higher, but otherwise the performance is identical to that of the SL640C.

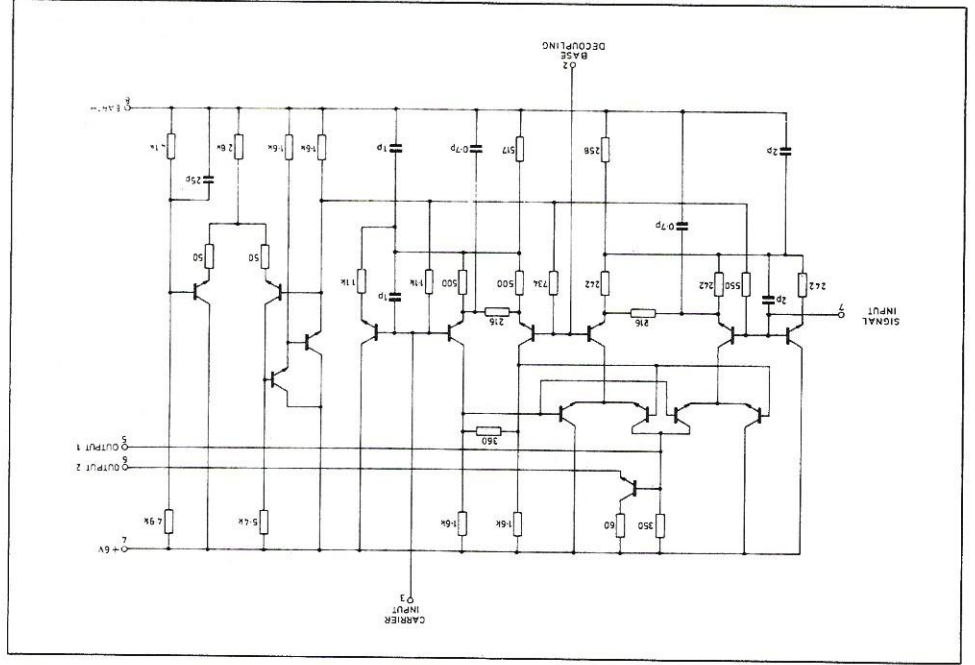


Fig. 1 Circuit diagram of SL640C