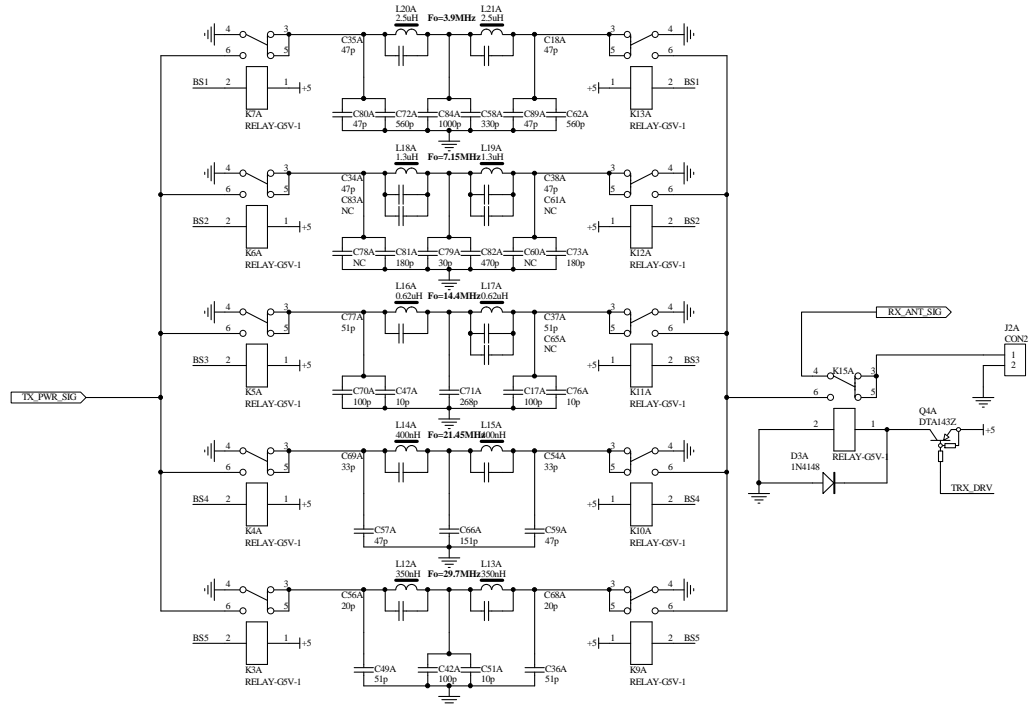
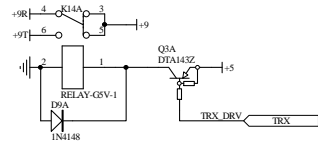
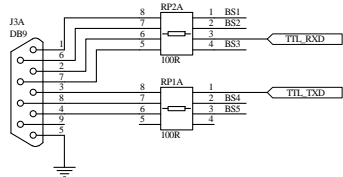
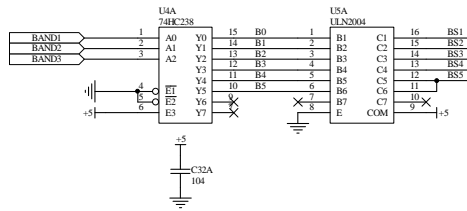


| BAND SELECTION TABLE | | |
|----------------------|-----|-----|
| BAND | BPF | LPF |
| 3.5-3.9M | B0 | L1 |
| 7.0-7.15M | B1 | L2 |
| 14.0-14.4M | B2 | L3 |
| 21.0-21.45M | B3 | L4 |
| 28.0-29.7M | B4 | L5 |
| 0-30M | B5 | |



| | | | | | |
|-------|--|----------|--|----------|--|
| Title | | LPF | | XG RADIO | |
| Size | Number | | | Revision | |
| A3 | | | | V2.01 | |
| Date: | 12-Oct-2012 | Sheet of | | | |
| File: | E:\产品\设计文档\电台产品\设计文档\XGM_P1\XGM_Pro1.dtb | | | | |