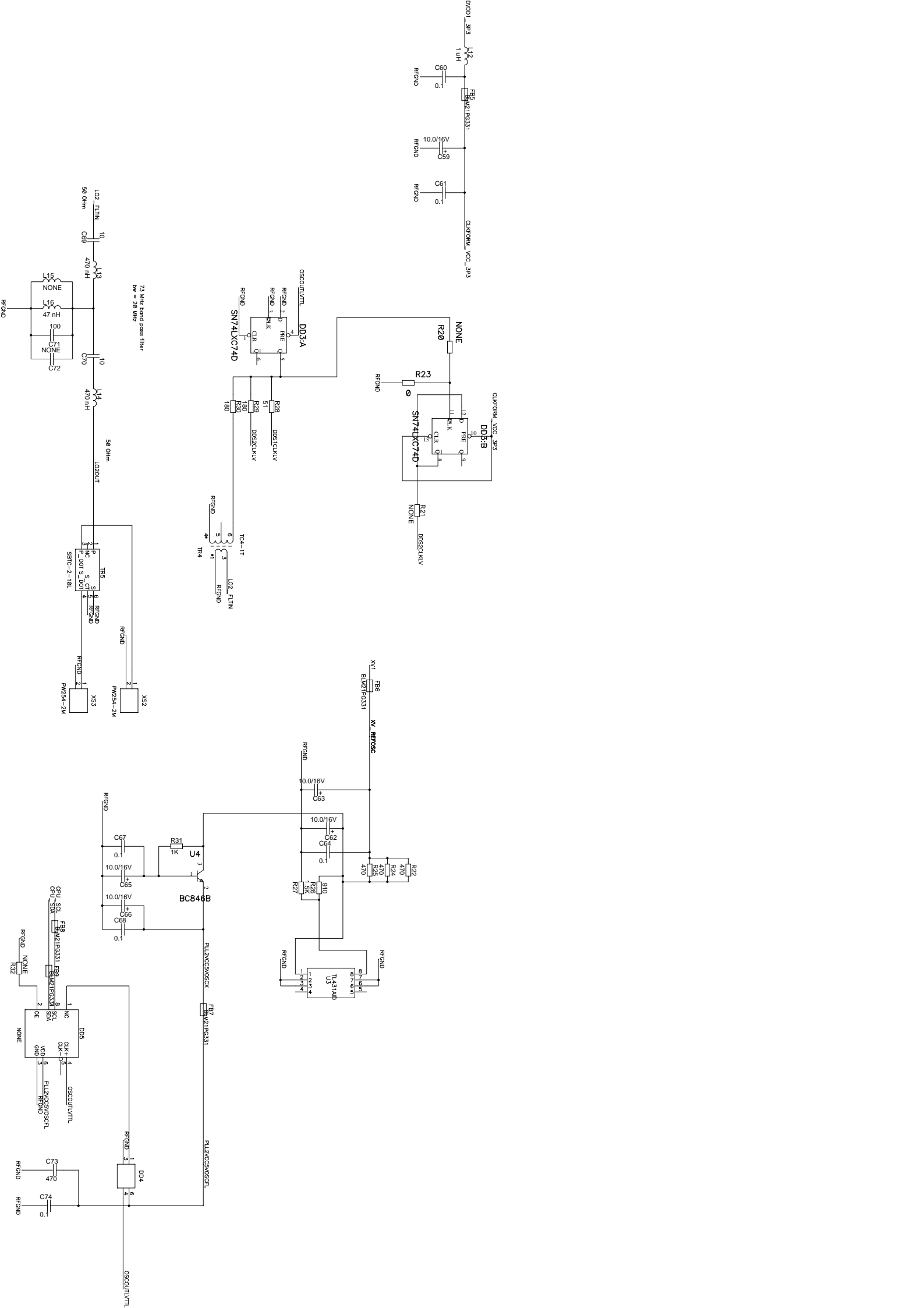
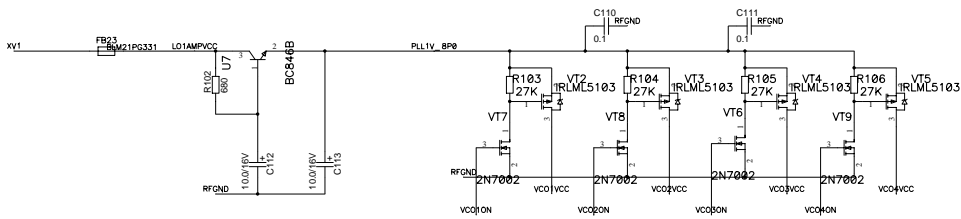
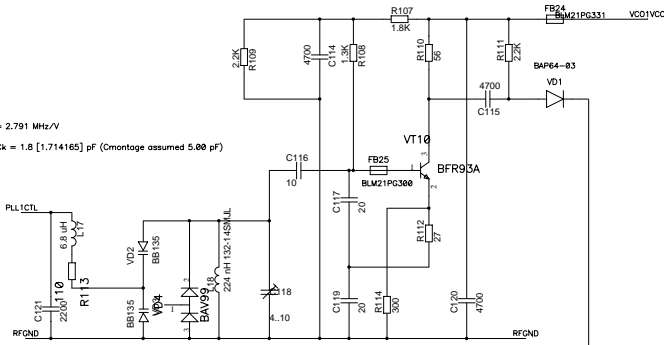


Filter of 18.724 MHz (nominal) = 8.713133 MHz (F₁ = 13)
 Voltage = 4.488888 V (V₁)
 Voltage = 4.488888 V (V₂)

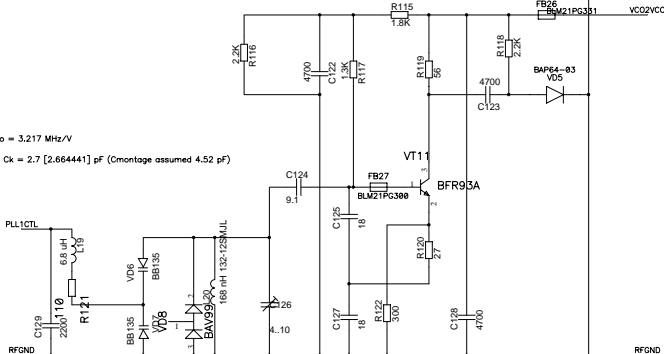




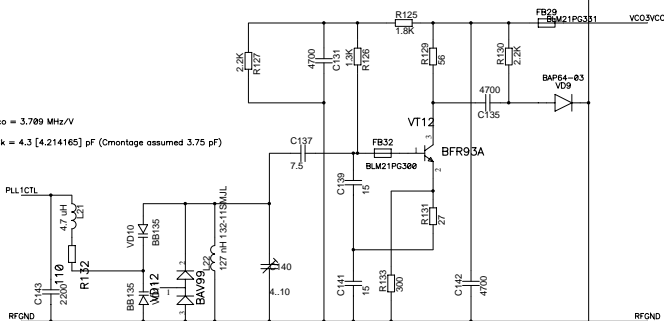
Fc1c = 73.886 MHz - 84.244 MHz (78.464 MHz), Kvco = 2.791 MHz/V
 vco0 Cx: 18 pF, 28 pF, Cmontage = 5 pF
 Zk = 118.2 Ohm, Lk = 8.224 nH, CBase = 6.714165 Ck = 1.8 [1.714165] pF (Cmontage assumed 5.00 pF)
 2 * BB135, delta=4.0 volt



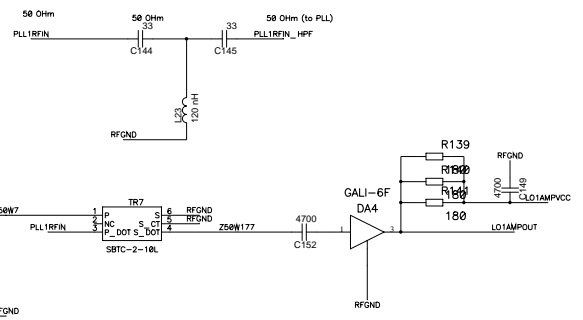
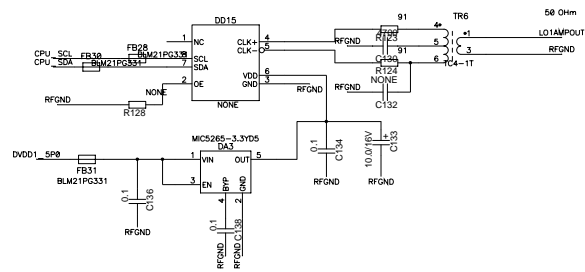
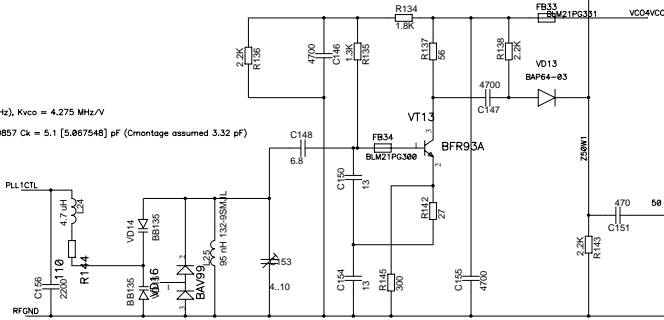
Fc1c = 84.244 MHz - 97.113 MHz (90.458 MHz), Kvco = 3.217 MHz/V
 vco1 Cx: 9.1 pF, 18 pF, Cmontage = 4.52486 pF
 Zk = 95.6 Ohm, Lk = 8.168 nH, CBase = 7.189383 Ck = 2.7 [2.664411] pF (Cmontage assumed 4.52 pF)
 2 * BB135, delta=4.0 volt

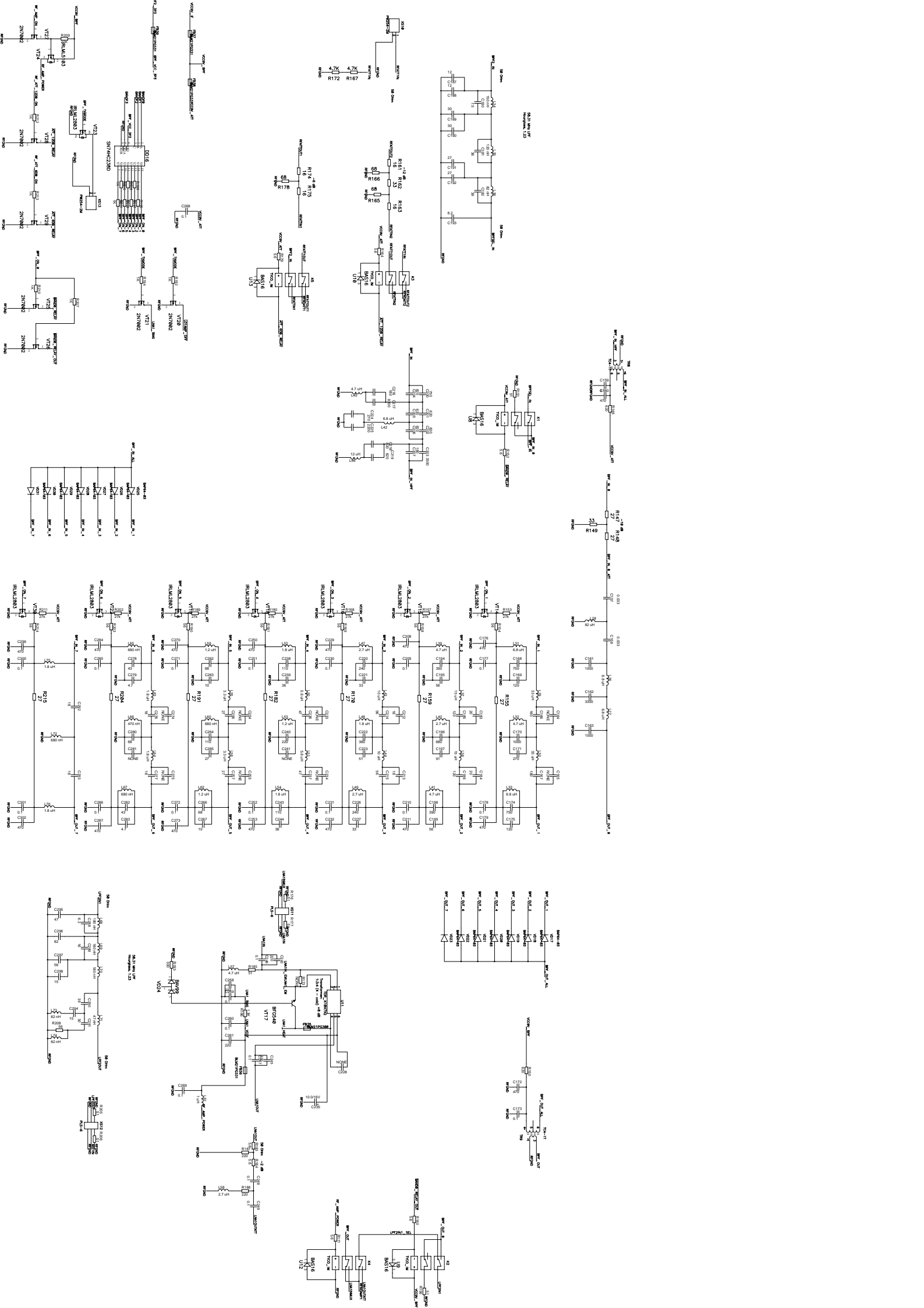


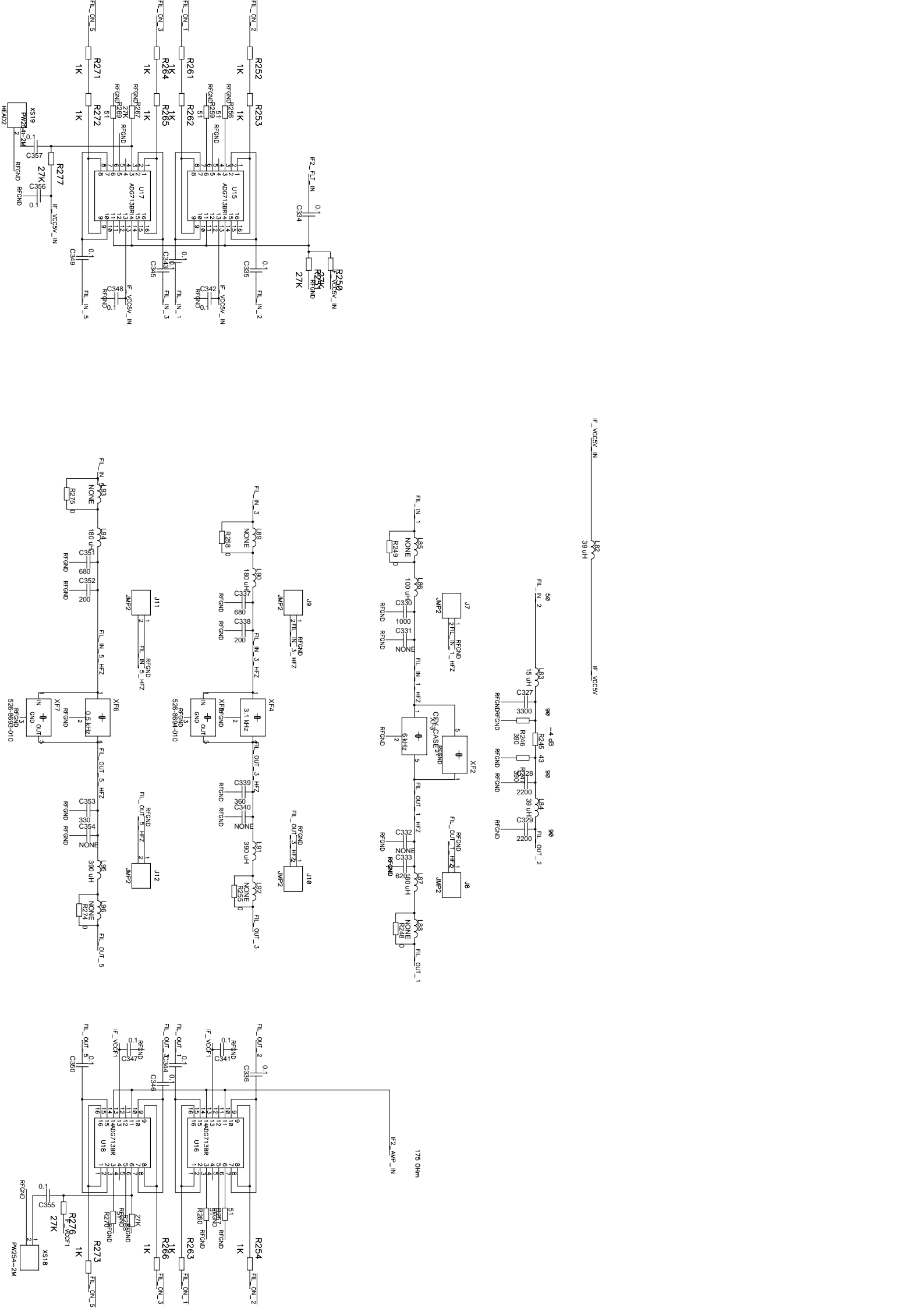
Fc1c = 97.113 MHz - 111.948 MHz (104.267 MHz), Kvco = 3.789 MHz/V
 vco2 Cx: 7.5 pF, 15 pF, Cmontage = 3.75 pF
 Zk = 82.9 Ohm, Lk = 8.127 nH, CBase = 7.964165 Ck = 4.3 [4.214165] pF (Cmontage assumed 3.75 pF)
 2 * BB135, delta=4.0 volt

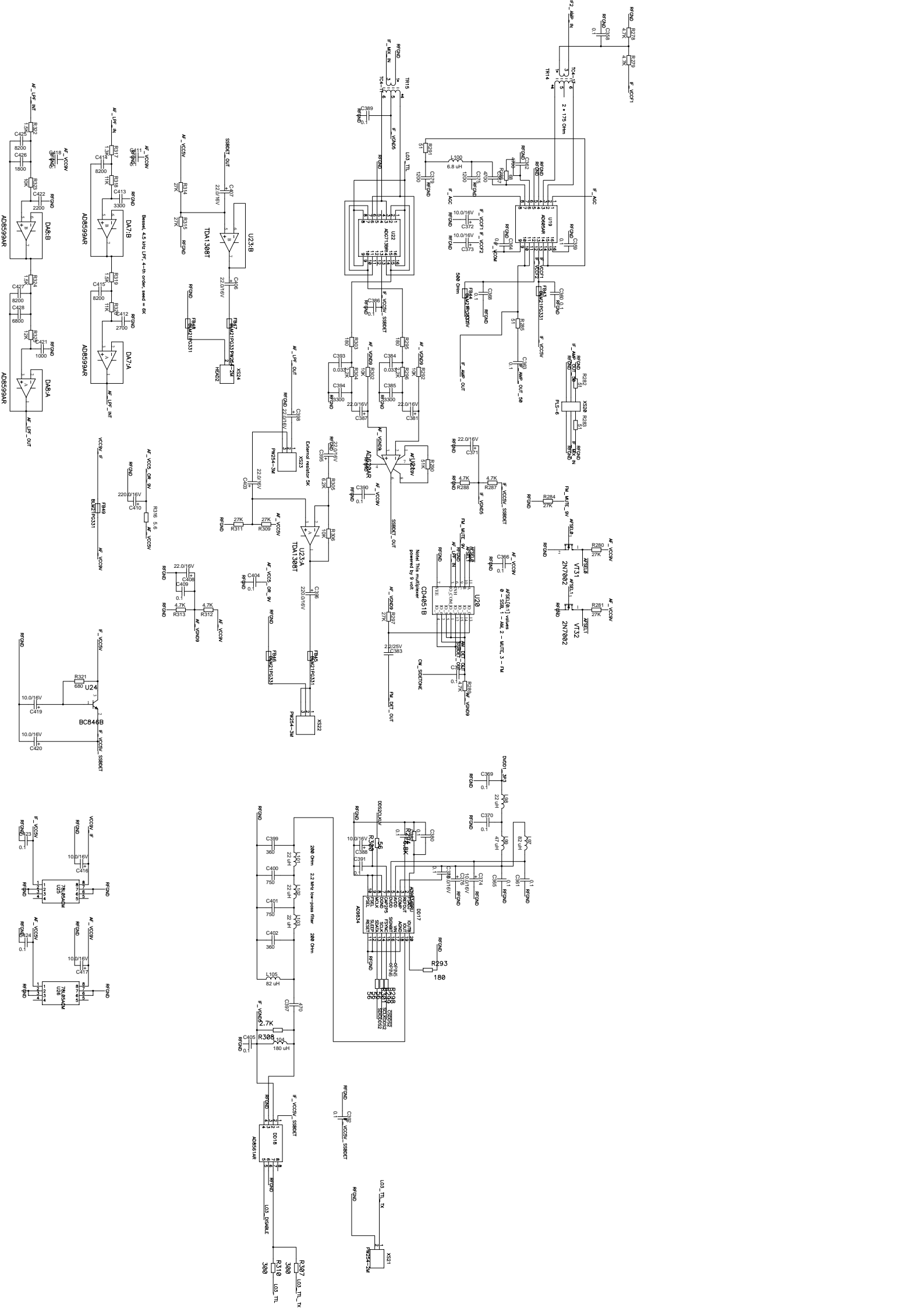


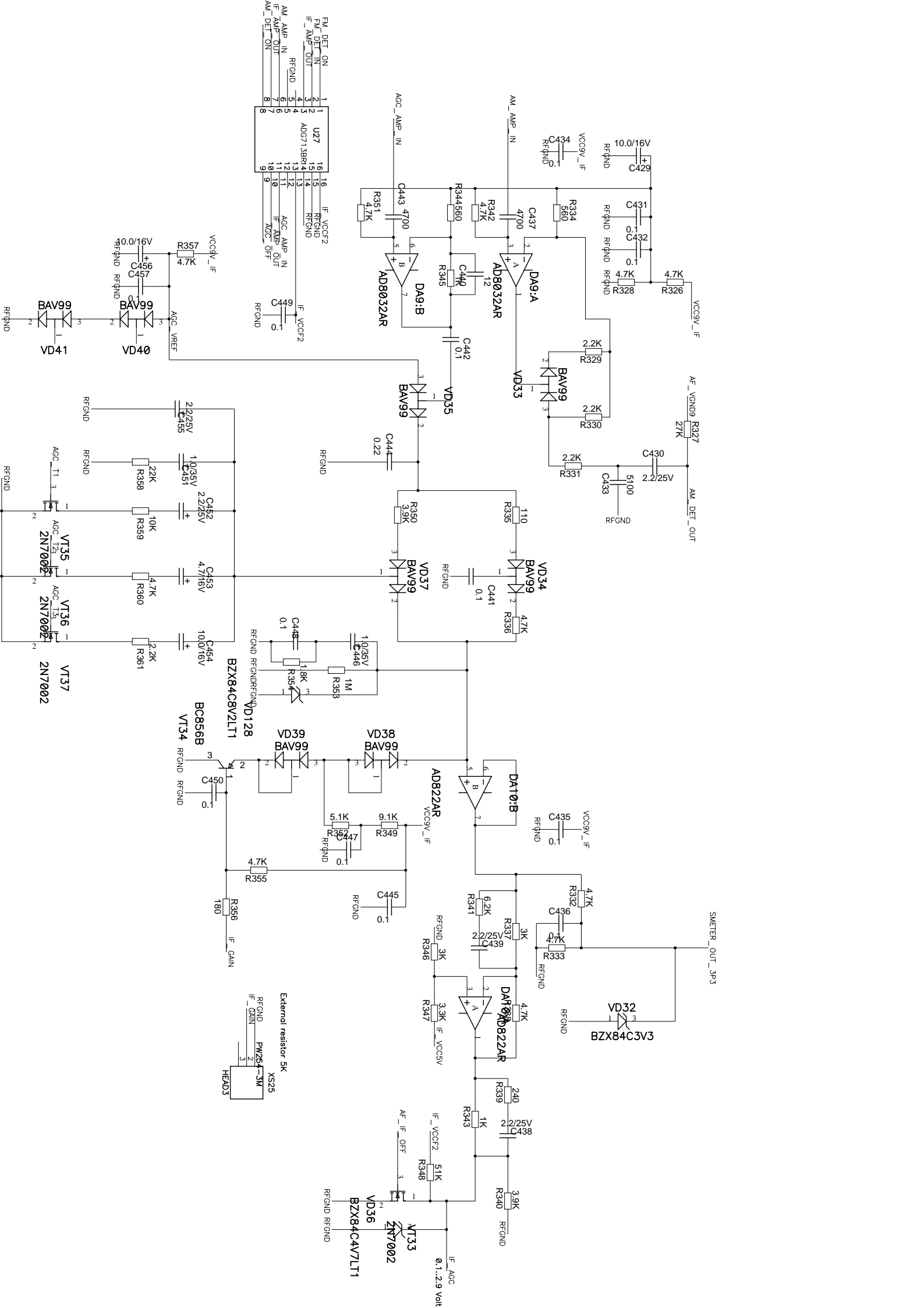
Fc1c = 111.948 MHz - 129.850 MHz (120.195 MHz), Kvco = 4.275 MHz/V
 vco3 Cx: 6.8 pF, 13 pF, Cmontage = 3.32331 pF
 Zk = 72.0 Ohm, Lk = 8.895 nH, CBase = 6.398857 Ck = 5.1 [5.867548] pF (Cmontage assumed 3.32 pF)
 2 * BB135, delta=4.0 volt

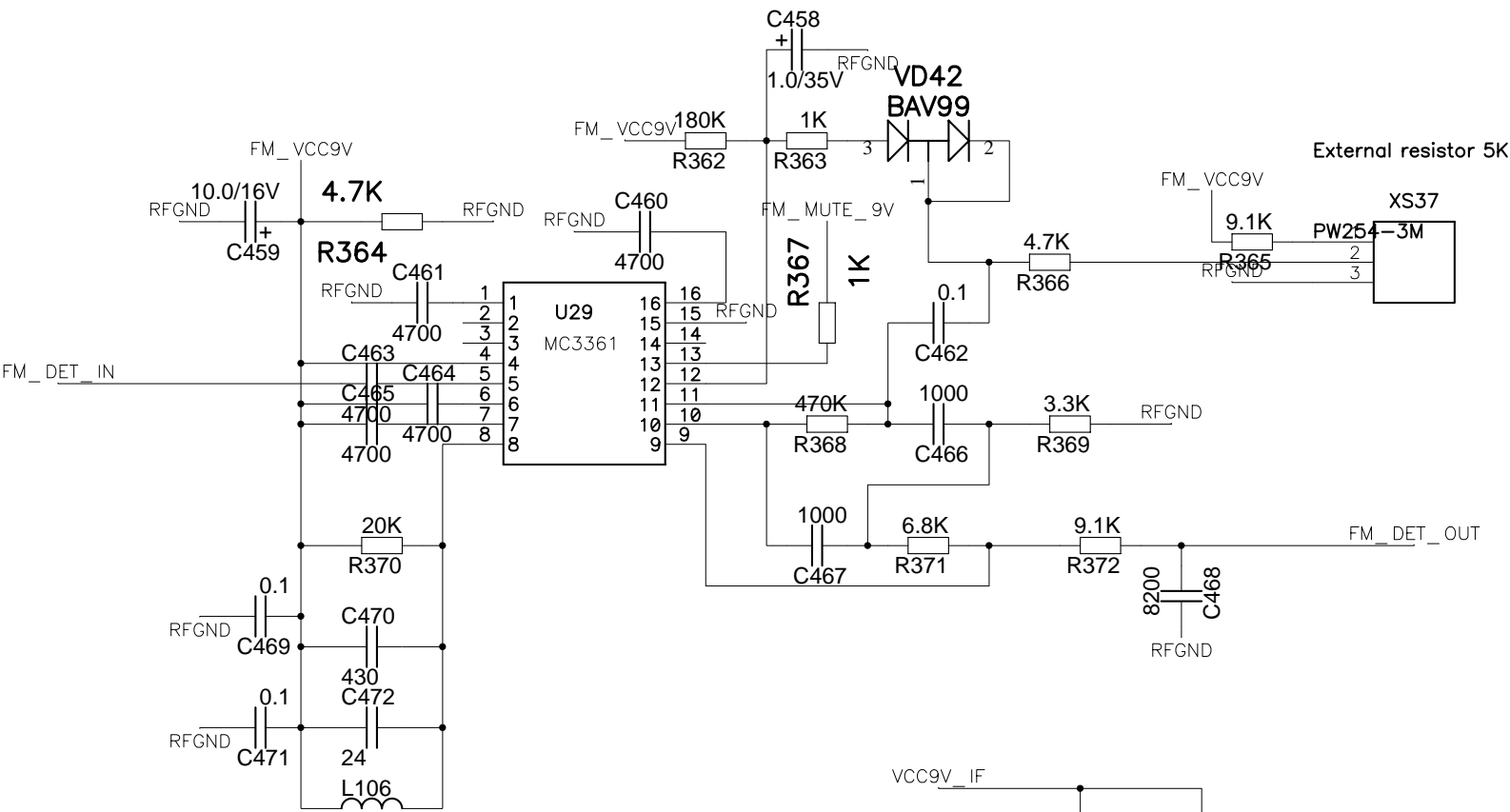












SUMIDA PG78-2175-T048 270 uH

