

TOKO COILS

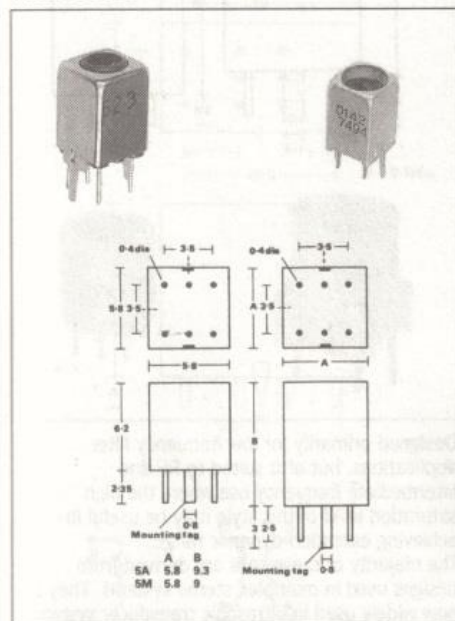
Cirkit are the UK distributor for Toko products. Toko are the world's largest manufacturer of wound components and the styles originated by them some 30 years ago now form the basis of virtually all the coils found inside radio, TV, communications and hi-fi equipment. Toko coils use only the best grade ferrite materials (generally from TDK) and their quality control is such that the failure rate is better than 1 per 1000. Cirkit are pleased to offer unrivalled support and information backup for Toko products, but please note that it is not possible to provide replacements for house-numbered components.

Note: most coil styles can be tuned +50% -35% of their nominal inductance value, though the Q and temperature co-efficient will vary at extremes of adjustment and excessive deviation from the nominal value should be avoided in critical applications.

Ferrite cores are not capable of passing substantial amounts of radio frequency energy: attempts to use these coils in RF power circuits may result in heating and unwanted distortion.

The fragile ferrite core used in these coils is easily fractured, and adjustments should be made only with brass or nylon trim tools, never with steel screwdrivers. Suitable trim tools are available - see **Tools** section.

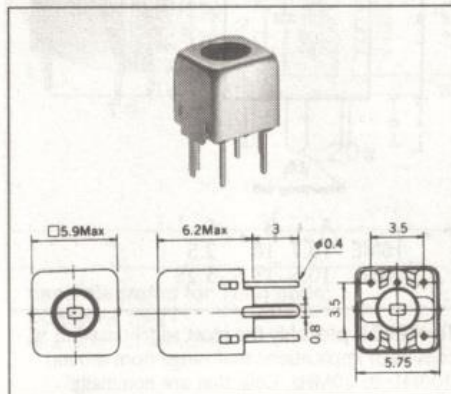
5mm COILS



This format is a scaled-down version of the 10EZ coil. The 5S style is a low-profile range, while the 5M is a taller component; both occupy the same PCB area. The 5A style is not available with an internal capacitor.

TYPE	STOCK NO.	PRICE
5MMC0124N	35-01242	£0.71
5MMC0273N	35-02732	£0.71
5SL0184R	35-01842	£0.71
5SPC0210Z	35-02102	£0.71
215N0839X	35-00839	£0.71
215PN0842Z	35-00842	£0.71
215PN0838X	35-00838	£0.71
215PN0850Z	35-00850	£0.71
5SVNR0837X	35-00837	£0.71
5SVNR0840Z	35-00840	£0.71
215PN0841HF	35-00841	£0.71
215PN0874N	35-00874	£0.71
215PN0875N	35-00875	£0.71
215PN0876N	35-00876	£0.71
210SN291Z	35-00291	£0.71
210SN171R	35-00171	£0.71
210SN172R	35-00172	£0.71
210SN173R	35-00173	£0.71

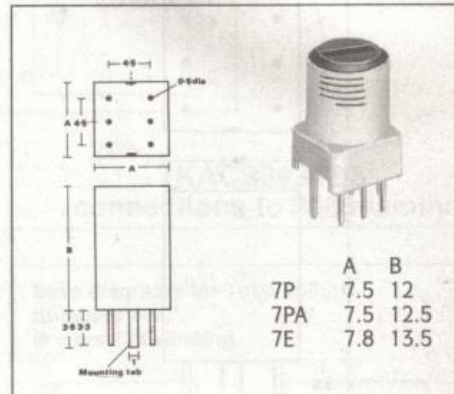
5K



A further development of the 5mm coils, this range is particularly selected to give a continuous range of inductance values from 1µH to 47µH. Each coil has an adjustment range of approx ± 6% giving overlapping tuning between values, all have a single winding - base 1 connection, and a very high Q/size ratio.

TYPE	Inductance (µH)	Q (min)	STOCK NO.	PRICE
332PN-3786VN	1.09	45	35-70109	0.71
332PN-3787BC	1.22	55	35-70122	0.71
332PN-3788BC	1.37	60	35-70137	0.71
332PN-3789VN	1.53	55	35-70153	0.71
332PN-3790BC	1.72	60	35-70172	0.71
332PN-3791BC	1.93	70	35-70193	0.71
332PN-3792VN	2.16	75	35-70216	0.71
332PN-3793VN	2.42	65	35-70242	0.71
332PN-3794VN	2.71	75	35-70271	0.71
332PN-3415VN	3.03	70	35-50303	0.71
332PN-3416VN	3.40	70	35-50340	0.71
332PN-3417VN	3.81	70	35-50381	0.71
332PN-3418VN	4.26	65	35-50426	0.71
332PN-3419VN	4.77	70	35-50477	0.71
332PN-3420VN	5.35	60	35-50535	0.71
332PN-3421VN	5.90	70	35-50590	0.71
332PN-3422VN	6.71	70	35-50671	0.71
332PN-3423VN	7.50	75	35-50750	0.71
332PN-3424VN	8.40	65	35-50840	0.71
332PN-3425VN	9.40	75	35-50940	0.71
332PN-3426VN	10.60	65	35-51060	0.71
332PN-3427VN	11.80	65	35-51180	0.71
332PN-3428VN	13.30	60	35-51330	0.71
332PN-3429VN	14.80	65	35-51480	0.71
332PN-3430VN	16.20	70	35-51620	0.71
332PN-3431VN	18.60	70	35-51860	0.71
332PN-3432VN	20.80	75	35-52080	0.71
332PN-3433VN	23.30	70	35-52330	0.71
332PN-3434VN	26.10	75	35-52610	0.71
332PN-3435VN	29.90	70	35-52990	0.71
332PN-3436VN	32.80	70	35-53280	0.71
332PN-3437VN	36.70	70	35-53670	0.71
332PN-3438VN	46.10	75	35-54160	0.71

7mm COILS



Circuit miniaturisation requires smaller components, represented by these 7mm format coils. Many listed below are equivalent to the 10mm range.

The 7PA style is designed for LF applications, with a more substantial core occupying the space otherwise allotted to a tuning capacitor. The 7P style provides a selection of adjustable chokes with an adjustment range of approximately ± 35-25% yielding fully overlapping values from 2 to 500uH. The 7E style is best known in radio control receiver applications. The 7KN includes a capacitor in the range 5-100pF; the 7KC does not have an internal capacitor. The adjustment range of these styles is approximately ± 15%.

TYPE	STOCK NO.	PRICE
119ACSA733BBCHK	35-07337	£0.59
126ANSA5305	35-53051	£0.59
126ANA5306	35-53061	£0.59
85FC4402EJ	35-44021	£0.59
119AC30099R	35-00991	£0.59
7MCS2198DC	35-21981	£0.59
7MCS2199DC	35-21991	£0.59
7MCS2194A4	35-21941	£0.59
7MCS4718N	35-47181	£0.59
7MCS4876N	35-48761	£0.59
LMC4100A	35-41001	£0.59
LPC4200A	35-42001	£0.59
LPC4201A	35-42011	£0.59
LMC4202A	35-42021	£0.59
LLC4827	35-48271	£0.59
7B0A5866HM	35-58661	£0.59
7B0A5868HM	35-58681	£0.59
7B0A5869HM	35-58691	£0.59
119ANA5871HM	35-58711	£0.59
119ANA5870HM	35-58701	£0.59
119ANA5872HM	35-58721	£0.59
119ANA5873HM	35-58731	£0.59
119ANA5874HM	35-58741	£0.59
113CNK1369HM	35-13691	£0.59
113CNK1370HM	35-13701	£0.59
199CCA127EK	35-01271	£0.59
113CN2K159DZ	35-01591	£0.59
113KN2K241DC	35-02411	£0.59
113CN2K509ADZ	35-05091	£0.59
113KN2K1026HM	35-10261	£0.59
7XEA4090EK	35-40901	£0.59
199KCA314N	35-03140	£0.59

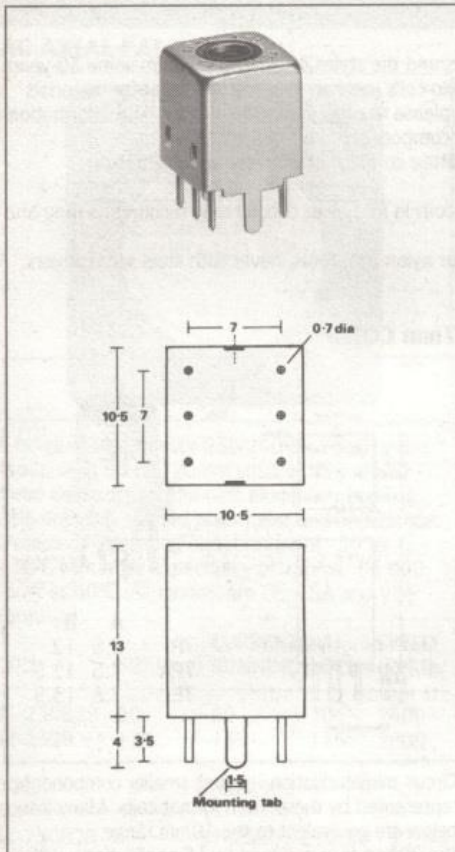
FURTHER SUBSTANTIAL DISCOUNTS

are available for quantity orders: please phone for details of quantity breaks and our competitive prices.



SAME DAY DESPATCH
for orders received before 4.00pm

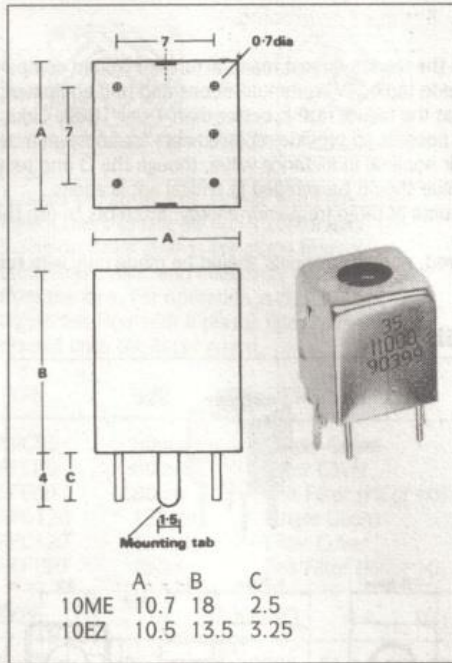
10K COILS



The most widely used coil in applications above 5MHz and below 70MHz. They use a spiral winding for low self capacitance and high Q, and a threaded slug adjuster. The range includes a number of 10.7MHz intermediate frequency transformers (which generally cover 9MHz as well), and IF transformers to match most types of ceramic and crystal filters. The adjustment range is some 30% of the nominal value.

TYPE	STOCK NO.	PRICE
KANK3333R	35-33330	£0.47
KANK3334R	35-33340	£0.47
KANK3335R	35-33350	£0.47
KXNK3767EK	35-37670	£0.52
KANK3426R	35-34260	£0.52
KANK3337R	35-33370	£0.52
KANK3428R	35-34280	£0.52
KXNK3766EK	35-37660	£0.52
KACS4520A	35-45200	£0.52
KASCK3892A	35-38920	£0.52
KACSK3893A	35-38930	£0.52
KACSK3894A	35-38940	£0.52
KACS1506A	35-15060	£0.52
KAC6184A	35-61840	£0.52
KAC6400A	35-64000	£0.52
KACSK586HM	35-05860	£0.52
TKACS34342	35-43420	£0.52
TKACS34343	35-43430	£0.52
MKANK4174HM	35-41740	£0.52
KXNK4173A0	35-41730	£0.52
KXNSK4612BM	35-46120	£0.52
KXNSK4172EK	35-41720	£0.52
TKXNS22250N	35-22500	£0.52
TKXCA34732CON	35-47320	£0.52
MKANSK1731HM	35-17310	£0.52
KANSK1893HM	35-18930	£0.52
KACS934055P	35-34050	£0.52
KACS9339REV	35-93390	£0.52
TKANS32696A	35-26960	£0.52
TKANS32698	35-26980	£0.52
MKXCSK3464B	35-34640	£0.52
TKACS1612	35-16120	£0.52
TKXC33733BS	35-33733	£0.52
166NNF10264AG	35-10264	£0.71

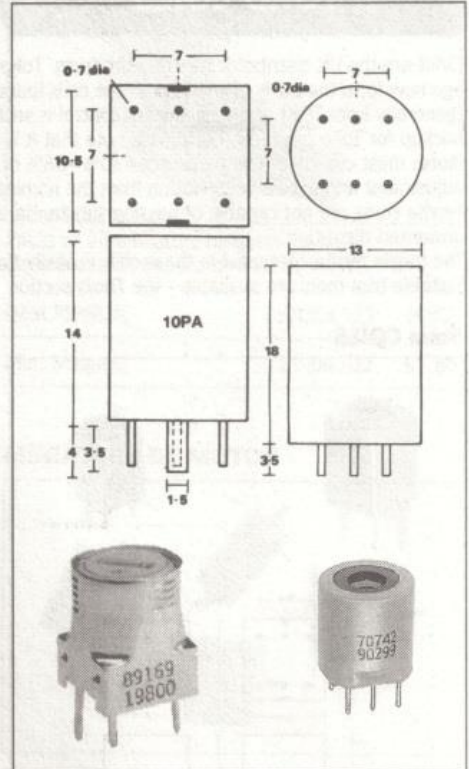
10EZ COILS



The 10EZ is probably the most widely used of all coils, with applications that range from around 200kHz to 20MHz. Coils that are nominally designed for 455kHz IF systems are easily tuned to 470kHz (and vice versa) although the Q may vary slightly causing the calculated impedance to be changes. The coil consists of a ferrite central bobbin with a threaded cup core held in an outer frame fixed to pin base. The adjustment range is approx. ± 30-20% of the nominal value.

TYPE	STOCK NO.	PRICE
YRCS11098AC	35-10980	£0.52
YRC12374AC	35-23740	£0.52
YHCS11100AC	35-11000	£0.52
YHCS1A589R	35-05890	£0.52
YHCS1A590R	35-05900	£0.52
YMCS2A740A	35-07400	£0.52
YHCS17103D	35-71030	£0.52
YLE4A888EK	35-08880	£0.52
YRCS18576AQ	35-85760	£0.52
YMRS80046N	35-00460	£0.52
YMRS16726Z	35-67260	£0.52
YW0S6A356E	35-03560	£0.52
RWR331208	35-12080	£0.52
RW06A6408N	35-64080	£0.52
RW06A7752EK	35-07750	£0.52
YXNS30450E	35-04500	£0.52
YXRS17065	35-70650	£0.52
YHES17105R2	35-71050	£0.52
RMC41997	35-19970	£0.52
RMC41996	35-19960	£0.52
154FN8A6438EK	35-64380	£0.52
154FN8A6439EK	35-64390	£0.52
154AN7A6440E	35-64400	£0.52
154AN7A6441E	35-64410	£0.52
94AES30465	35-04650	£0.52
94AES30455	35-04660	£0.52
94ACS10516PJQ	35-05160	£0.52
94FCS10517	35-10517	£0.52
161XNA0277UK	35-16127	£0.71

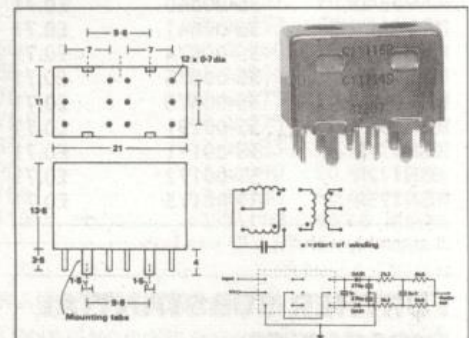
10PA/12VXA COILS



Designed primarily for low frequency filter applications, but also suited to RF and intermediate frequency use where the high saturation level of this style may be useful in achieving extended dynamic range. The majority of these coils are derived from designs used in multiplex stereo systems. They are now widely used in ultrasonic transducer systems. The adjustment range of these styles is particularly wide, eg the CLN30569Z coil will tune to beyond 50mH.

TYPE	STOCK NO.	PRICE
719VXA8032	35-80230	£1.16
CAN1898HM	35-18980	£0.82
CAN1980BX	35-19800	£0.82
CAN1979A	35-19790	£0.82
CAN1896HM	35-18960	£0.82
CLNS30568Z	35-05680	£0.82
CLNS30569Z	35-05690	£0.82
CAN1A350EK	35-03500	£0.74
707VXA042YUK	35-70742	£0.94
707VXA043YUK	35-70743	£0.94

10WA, 10WF COILS



A double 10mm format using mutual inductive coupling and/or link coupling to provide the desired coupling factor.

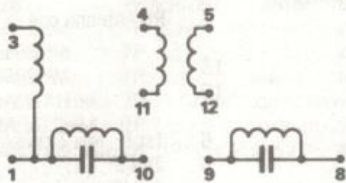
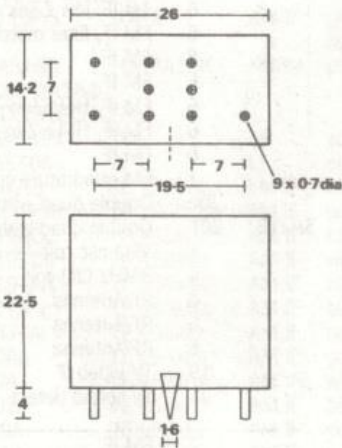
TYPE	STOCK NO.	PRICE
WFDC1115P/S	35-11155	£1.58
WRHC1A516/7	35-51675	£1.58

Telephone Sales

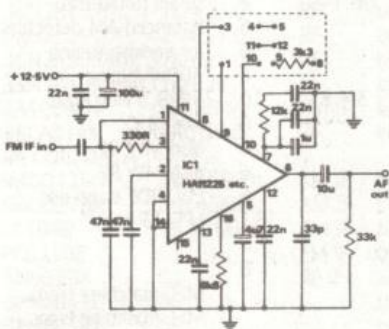


0992 448899

12HF DETECTOR ASSEMBLY



12HF internal connections.



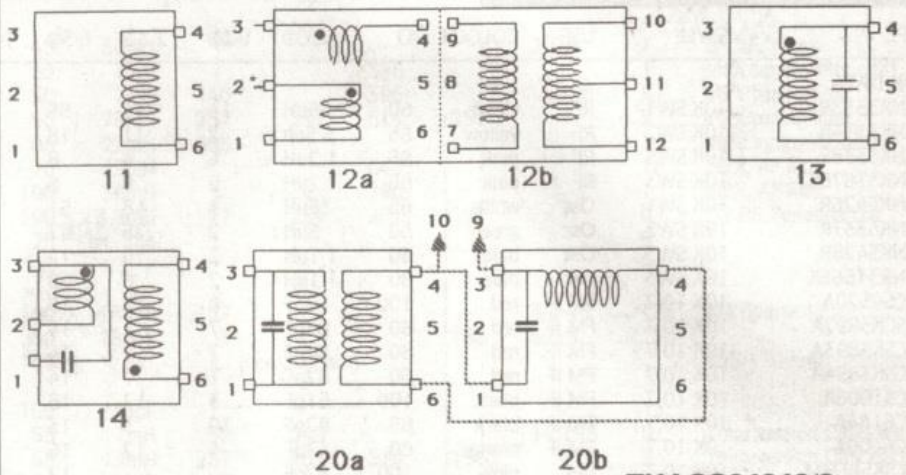
FM detector system using the 12HF plus HA11225

The 12HF is a large format double-tuned detector coil assembly with the following features:
 The coupling is set for the best phase linearity over a very wide bandwidth (ie, slightly de-tuned signals will not be distorted).
 The combination of high and Q and low distortion improves the recovered audio and signal-to-noise ratio in all quadrature detector systems. The 22uH feed choke is included in the screening can.
 Temperature stability is greatly enhanced.

TYPE	STOCK NO.	PRICE
12HF Q228CCM-1037D	35-01037	£2.12

base diagrams for Toko coils: numbers 11-14,20.

● = start of winding.

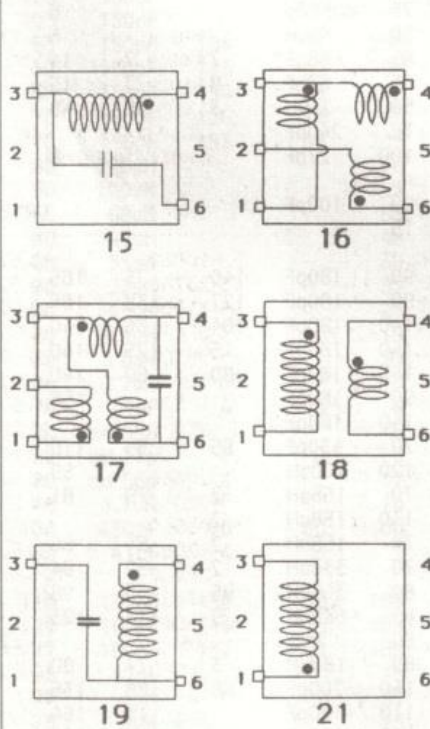


TKACS34342/3 connections to 3089 family

base diagrams for Toko coils: numbers 15-21

numbers 15-21

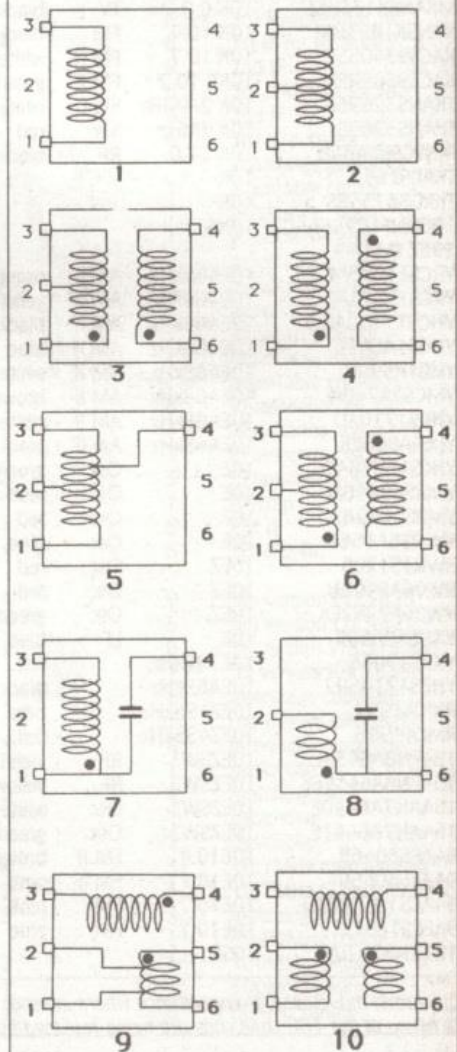
● = start of winding.



base diagrams for Toko coils: numbers 1-10

numbers 1-10

● = start of winding.



TO ORDER BY MAIL

use the form at the back of the catalogue and send to:

CIRKIT DISTRIBUTION LTD.

Park Lane, Broxbourne, Herts EN10 7NQ



FACSIMILE
0992 471314

COIL DATA

TYPE	STYLE	USE	COLOUR	Q	L/C①	1-2②	2-3②	1-3②	4-6②	OTHERS②	BASE	COMMENT
10K DATA												
KANK3333R	10K SW1	RF	violet	60	45uH	14	41	55	4		6	SW1 RF/Antenna coil
KANK3334R	10K SW2	RF	yellow	85	5.5uH	7	11	18	3		6	SW2 RF/Antenna
KANK3335R	10K SW3	RF	pink	85	1.2uH	4	4	8	2		6	SW3 RF/Antenna
KXNK3767EK	10K SW3	RF	pink	80	1.2uH	2	6	8	5		6	SW3 RF Hi-Z
KANK3426R	10K SW1	Osc	white	65	38uH	3	48	51	4		6	SW1 osc
KANK3337R	10K SW2	Osc	green	50	5uH	2	25	27	3		6	SW2 osc
KANK3428R	10K SW3	Osc	blue	60	1.1uH	2	10	12	3		6	SW3 osc
KXNK3766EK	10K SW3	Osc	blue	80	1.1uH	2	6	8	5		6	SW3 osc hi-Z
KACS4520A	10K 10.7	FM IF	red	100	50pF	8	7	15	1		6	1st IF, low Z link
KASCK3892A	10K 10.7	FM IF	red	80	82pF	7	7	14	2		6	FM IF, filter match
KACSK3893A	10K 10.7	FM IF	red	80	82pF	7	7	14	3		6	FM IF
KACSK3894A	10K 10.7	FM IF	red	80	82pF	7	7	14	4		6	FM IF
KACS1506A	10K 10.7	FM IF	black	100	51pF	3	12	15	2		6	FM IF, Hi-lo/Z in
KAC6184A	10K 10.7	FM IF	black	65	82pF	10	3	13	3		6	FM IF, Hi-Lo/Z in
KAC6400A	10K 10.7	FM IF	orange	80	47pF	4	12	16	2		6	FM IF
KACSK586HM	10K 10.7	Det	pink	100	82pF			12			1	FM quadrature coil
TKACS34342	10K 10.7	Det	black	70	51pF			15			20a	Double quad with -
TKACS34343	10K 10.7	Det	black	70	51pF					3/4:15	20b	Double quad with above
MKAN4174HM	10K 4.6MHz	Osc	black	100	4.8uH			17			1	VFO osc coil
KXNK4173A0	10K 9	Osc	brown	80	3uH			15	3		4	9MHz CIO coil
KXNSK4612BM	10K 28MHz	RF	white	45	1.7uH			11	3		4	RF/Antenna
KXNSK4172EK	10K 28	RF	black	65	1.4uH	1	8	9	3		6	RF/Antenna
TKXNS22250N	10K 28	RF	black	80	1.4uH	1	8	9	1		6	RF/Antenna
TKXCA34732CON	10K 36MHz	TV vif	white	85	27pF			9			19	TV video IF
MKANSK173HM	10K 6.0	TV	black	75	ex/560p			8			21	TV sound detect
KANSK1893HM	10K 10.7	FM	black	50	39uH			5				
KACS934055P	10K 10.7	FM IF	white	65	68pF	7	7	14			2	FM IF
KACS9339REV	10K 10.7	FM IF	green	65	68pF	8	7	15			2	
TKANS32696A	10K 2-4MHz	SW1	white	50	23uH	3	45	48	6		6	
TKANS32698	10K 7MHz	SW	red	76	240pF					12 ¹ / ₂ /1 ¹ / ₂		
MKXCSK3464B	10K 27.0	RF	black	100	27pF			8	2		3	RF/Antenna coil
TKACS1612	10K											
TKXC33733BS	10K			90	100pF						13	
166NNF102464AG	10NS			15	-						18	
10EZ DATA③												
YRCS11098AC	10E468kHz	AM IF	orange	90	180pF	140	25	165	4		6	1st IF, low Z coupling
YRCS12374AC	10E468kHz	AM IF	yellow	90	180pF	127	138	165	6		6	2nd IF
YHCS11100AC	10E468kHz	AM IF	black	140	180pF	104	36	140	20		6	3rd IF/detector
YHCS1A589R	10E468kHz	AM IF	blue	150	180pF	15	125	140	6		6	hi Q 2nd IF
YHC1A590R	10E468kHz	AM IF	white	150	180pF	80	60	140	15		6	hi Q IF
YMCS2A740A	10E468kHz	AM IF	brown	90	180pF			158			7	series tuned trap
YHCS17103D	10E468kHz	AM IF	white	140	180pF					2/6:149	8	series tuned trap
YLE4A888EK	10E468kHz	AM IF	black	70	430pF	55	55	110	15		6	balanced AM detectors
YRCS18576AQ	10E	Osc	green	120	100uH			59	36		4	for varicap tuning
YMRS80046N	10E	Osc	blue	70	158uH	2	79	81	9		6	300pF tuning
YMRS16726Z	10E	Osc	red	130	158uH	2				3/4:83	10	5/6:9.3 wdg type
YWOS6A356E	10E	Osc	blue	70	158uH	2	64	66	7		6	low int C
RWR331208	10EZ	Osc	red	70	330uH	2	92	94	8		6	also MW RF
RW06A6408N	10EZ	Osc	red	80	360uH	95	3	98	12		6	also MW RF
RW06A7752EK	10EZ	Osc	green	80	630uH	9	114	123	13		6	LW, RDF band osc
YXNS30450E	10E	LF	blue	80	2mH				270		11	LPF, LF osc
YXRS17065	10E796kHz		red	80	180uH	3	77	80	12		6	
YHES17105R2	10E455kHz		black	140	200pF	68	68	136	68		6	
RMC41997	10EZ455kHz		blue	110	180pF			19	164		16	MFL matching trans
RMC41996	10EZ455kHz		red	110	180pF			43	164		16	MFL matching trans
154FN8A6438EK	10EZSW1	RF	violet	100	45uH	10	30	40	8		6	SW1 RF Hi-Z
154FN8A6439EK	10EZSW2	RF	yellow	110	5.5uH	4	10	14	6		6	SW2 RF Hi-Z
154AN7A6440E	10EZSW1	Osc	white	90	38uH	10	31	41	9		6	SW1 osc Hi-Z
154AN7A6441E	10EZSW2	Osc	green	70	5uH	4	11	15	7		6	SW2 osc Hi-Z
94AES30465	10E10.7	FM IF	brown	75	120pF	6	3	9	1		6	FM IF
94AES30455	10E10.7	FM IF	pink	75	none	6	3	9	1		3	FM IF no cap
94ACS10516PJQ	10E10.7	FM	pink	80	32pF		18		5		14	FM ratio detector
94FCS10517	10E10.7	FM	blue	80	51pF	1			13	3-4-6:6 ¹ / ₂	17	FM ratio detector
161XNA207UK	10SE											

① internal inductance or capacitance where internal capacitor is included. ② turns between pins - see base drawings.

③ Many of the 10E style coils are being replaced by 10EZ equivalents. During the changeover period directly equivalent types may be supplied.

SAME DAY DESPATCH
for orders received before 4.00pm

FOR ALL ENQUIRIES
0992 441306

PARK LANE BROXBORNE HERTS EN10 7NQ



COIL DATA (continued)

TYPE	STYLE	USE	COLOUR	Q	L/C①	1-2②	2-3②	1-3②	4-6②	OTHER②	BASE	COMMENT
10PA & 12VXA DATA												
719VXA8032	12VXA	LF	black	45	80mH					2070	1	LF, AF, filters
CAN1898HM	10PA	LF	orange	50	7mH			396			1	MPX tuning/filter coil
CAN1980BX	10PA	LF	yellow	50	7mH	40		396		1/4:198 1/2	5	MPX tuning/filter
CAN1979A	10PA	LF	white	50	11.75mH	257	257	514	257		3	MPX tuning/filter
CAN1896HM	10PA	LF	black	85	22mH	695					1	MPX tuning/AF filters
CLNS30568Z	10PA	LF	black	70	23mH			640			1	MPX, AF filter
CLNS30569Z	10PA	LF	black	100	36mH			780			1	MPX, AF filter
CAN1A350EK	10PA	LW	red	100	3.5mH	27	234	261	27		6	LW RF, Antenna coil
707VXA042YUK	12VX			25	ex. 33n						9	
707VXA043YUK	12VX			25	-						9	
10WA, 10WF DATA												
WFDC1115P/S	10WA	AM IF	pink blue	80 80	180pF 180pF	107 3				3/4:45 5/6:5	12a 12b	AM double tuned
WRHC1A516/7	10WA455K	NBFM	pink/blue	100			(see diagram)					455/470 ratio detector
7mm COIL DATA®												
199ACSA7337BBCHK	7PA			100	10pF						15	
126ANSA5305	7PA	LF	yellow	55	7mH	39	349			14:195	5	7mm version CAN1980BX
126ANA5306	7PA	LF	orange	55	12mH	257	257	514	136		3	7mm version CAN1979A
85FC4402EJ	7E 10.7MHz	FM IF	blue	100	100pF	6	6	12	1		3	1 turn link IF
119AC30099R	7P 10.7MHz	FM IF	orange	90	82pF	8	2	10	4		6	hi-Z secondary
7MCS2198DC	7P 458kHz	AM IF	black	110	180pF	104	36	140	20		6	7mm YHCS11100AC
7MCS2199DC	7P 468kHz	AM IF	white	110	180pF	80	60	140	15		6	7mm YHCS1A590R
7MCS2194AA	7P 468kHz	AM IF	brown	110	180pF			140			7	7mm YMCS2A740A
7MCS4718N	7P 455kHz	AM IF	black	115	180pF	69	77	146	14		6	2k filter matching in
7MCS4876N	7P 455kHz	AM IF	black	115	180pF	130	16	146	14		6	2k filter matching out
LMC4100A	7E 455kHz	AM IF	yellow	105	150pF						6	1st IF for RC RXs
LMC410A	7E 455kHz	AM IF	white	105	150pF						6	2nd IF for RC
LMC4102A	7E 455kHz	AM IF	black	105	150pF						6	3rd IF/detect for RC
LPC4200A	7E 455kHz	AM IF	yellow	60	150pF	164	41	205	4		6	1st IF for RC RXs
LPC4201A	7E 455kHz	AM IF	white	60	150pF	143	62	205	4		6	2nd IF
LMC4202A	7E 455kHz	AM IF	black	60	150pF	134	74	208	42		6	3rd IF/detect for RC
LLC4827	7E 455kHz	AM IF	yellow	70	150pF	126	79	205	10		6	2nd IF
LLC4828	7E 455kHz	AM IF	black	70	150pF	153	52	205	26		6	3rd IF/detect
7B0A5866HM	7P		red	80	220uH			78			1	adjustable choke
7B0A5868HM	7P		white	90	100uH			53			1	adjustable choke
7B0A5869HM	7P		violet	60	68uH			53			1	adjustable choke
119ANA5871HM	7P		yellow	80	47uH			48			1	adjustable choke
119ANA5870HM	7P		orange	80	33uH			39			1	adjustable choke
119ANA5872HM	7P		green	80	22uH			32			1	adjustable choke
119ANA5873HM	7P		pink	80	15uH			25			1	adjustable choke
119ANA5874HM	7P		red	80	8.2uH			19			1	adjustable choke
113CNK1369HM	7KN		blue	50	5.6uH			22			1	adjustable choke
113CNK1370HM	7KN		white	80	2.7uH			15			1	adjustable choke
199CCA127EK	7KC 27.0	RF	black	70	47pF	4	4	8	1		6	RF/antenna coil
113CN2K159DZ	7KN 27.0	RF	black	90	ext 55p			8	2		4	RF/antenna coil
113KN2K241DC	7KN 27.0	RF	black	80	ext 27p	7	2	9	2		3	RF/antenna coil
113CN2K509ADZ	7KN 27.0	RF	black	80	ext 56p	1	1	2	8		3	RF/antenna coil
113KN2K1026HM	7KN 28	RF	black	45	1.7uH			14			1	RF/trap
7XEA4090EK	7P455kHz	AM IF	black	100	430pF	20	80	100	21		6	AM IF
199KCA314N	7KC 35.0	RF	black	50	47pF	4	3	7	1		6	35MHz RC
5mm COIL DATA												
5MMCO124N	5M 455kHz	AM IF	black	110	180pF	139	50	189	24		6	5m version LLC4828
5MMCO273N	5M 455kHz	AM IF	black	125	180pF	144	75	189	9		6	5m version LLC4827
5SL0184R	5S 455kHz	AM IF	black	77	180pF	137	43	180	27		6	5S version YHCS11100
5SPC0210Z	5S	FM IF	black	95	47pF			15			1	5S version KACSK586
215N0839X	5S	RF IF	black	77	14uH			31	1		4	interstage coupling
215PN0842Z	5S		black	75	9uH			25			1	osc (choke element)
215PN0838X	5S		black	85	30uH			46	3		4	interstage matching
215PN0850Z	5S		black	85	8uH			22			1	osc/choke
5SVNR0837X	5S		black	70	122uH			89	2		4	matching etc.
5SVNR0840Z	5S		black	65	32uH			44			1	osc/choke
215PN0841HF	5S		black	90	30uH		45				2	osc/choke
215PN0874N	5S		black	50	1.4uH	2	7	9	4		3	10.7MHz matching etc.
215PN0875N	5S		black	60	1.7uH	4	6	10	2		3	10.7MHz IF matching etc.
215PN0876N	5S		black	65	5.2uH	11	7	18	3		3	matching/filters etc.
210SN291Z	5A	VHF	black	58	0.3uH			7			1	30-80MHz tuning etc.
210SN171R	5A	VHF	black	55	13pF	3	2	5	2		3	100MHz tuning
210SN172R	5A	VHF	black	58	16pF	4	2	6	1		3	100MHz tuning
210SN173R	5A	VHF	black	55	12pF	4	3	7	1		3	80MHz tuning

① internal inductance or capacitance where internal capacitor included. ② turns between pins - see base drawings.

③ Many of the 7E style coils are being replaced by 7P equivalents. During the changeover period directly equivalent types may be supplied.

DIRECT SALES LINE
0992 448899

FACSIMILE
0992 471314

FOR ALL ENQUIRIES
0992 441306