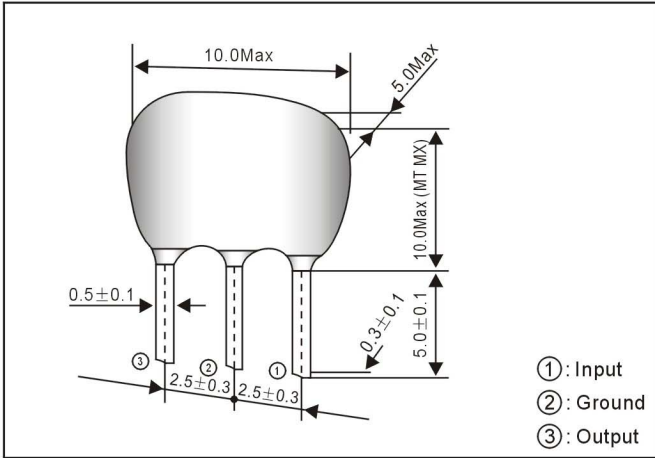


Series LTMB

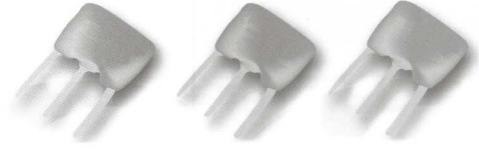


External dimensions

Unit: mm

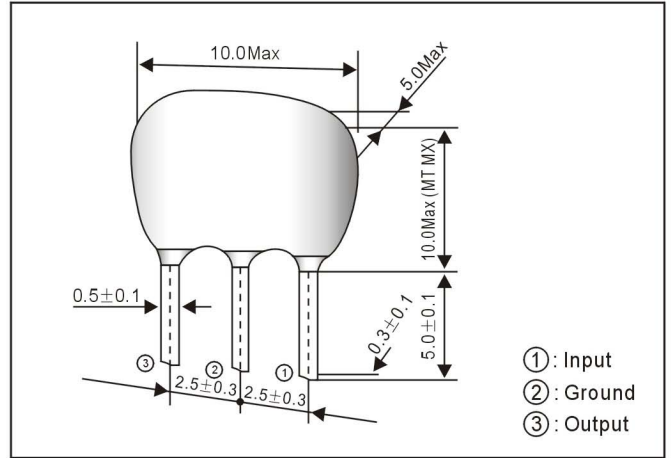


Series XTMB



External dimensions

Unit: mm

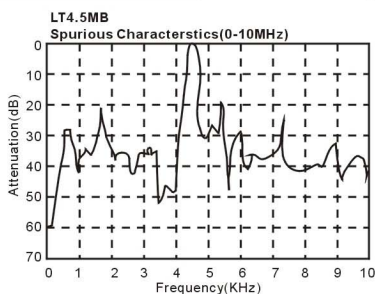
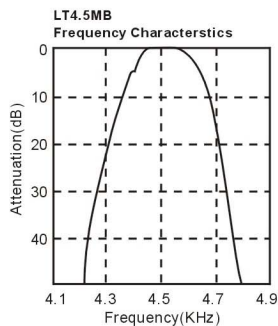
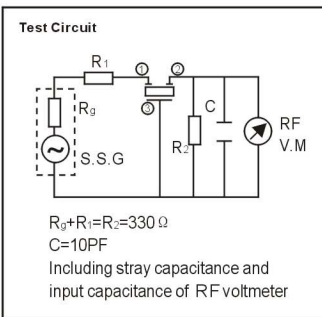


Item	Specification				Remarks
Part Number	LT4.5MB	LT5.5MB	LT6.0MB	LT6.5MB	
Nominal Center Frequency	4.500MHz	5.500MHz	6.000MHz	6.500MHz	F _n
3dB Bandwidth	f _n ± 50KHz	f _n ± 50KHz	f _n ± 50KHz	f _n ± 50KHz	Minimum
20dB Bandwidth	530KHz	550KHz	600KHz	630KHz	Max
Insertion Loss	6.0dB				Max
Spurious Attenuation	20dB	25dB	25dB	25dB	Minimum(+1MHz)
				30dB	Minimum(-1MHz)
Input/Output Impedance	1000 Ω	600 Ω	470 Ω	470 Ω	
Rating Voltage	10V				
Operating Temperature Range	-10°C to +70°C				
Storage Temperature Range	-30°C to +85°C				
Insulated Resistance	≥ 100M Ω				D.C.10V
Aging For Ten Years	± 0.5% Max				-10°C to +70°C

Item	Specification				Remarks
Series	XT4.5MB	XT5.5MB	XT6.0MB	XT6.5MB	
Nominal Center Frequency	4.500MHz	5.500MHz	6.000MHz	6.500MHz	F _n
Attenuation (at f _n)	35dB				Minimum
3dB Attenuation Band Width	70KHz				Minimum
Rating Voltage	10V				
Operating Temperature Range	-10°C to +70°C				
Sge	-30°C to +85°C				
Insulated Resistance	≥ 100M Ω				D.C.10V
Temperature Characteristics	± 2% Max				-10°C to +70°C

Remark: 1. All specifications subject to change without t notice.
2. The level at 1 Mhz shall be made for a reference(0dB).

Typical Performance



Typical Performance

