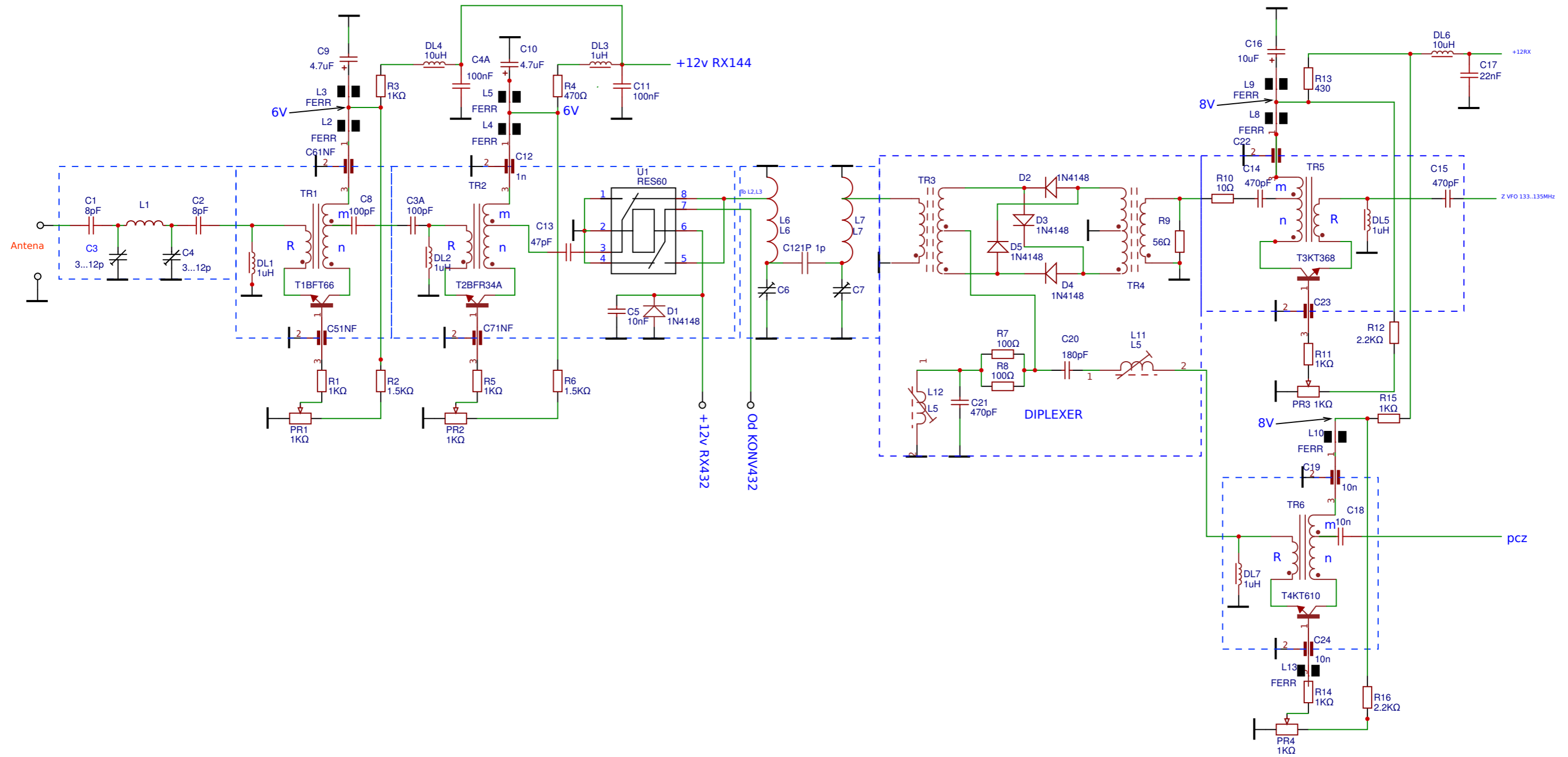


# SP8NTP-CONVERTER144MHz TRANSCEIVER H-220



TITLE: Konwerter 144 H-220		REV: 1.0
Date: 2017-12-06	Sheet: 1/1	
EasyEDA V4.11.9	Drawn By: sp8ntp	