

Sheet: uC + BT

File: U-VNA-uC.sch

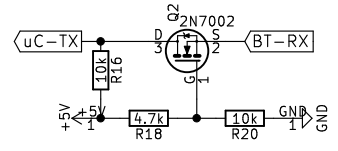
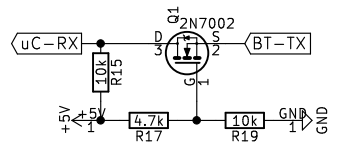
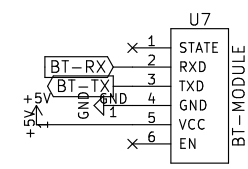
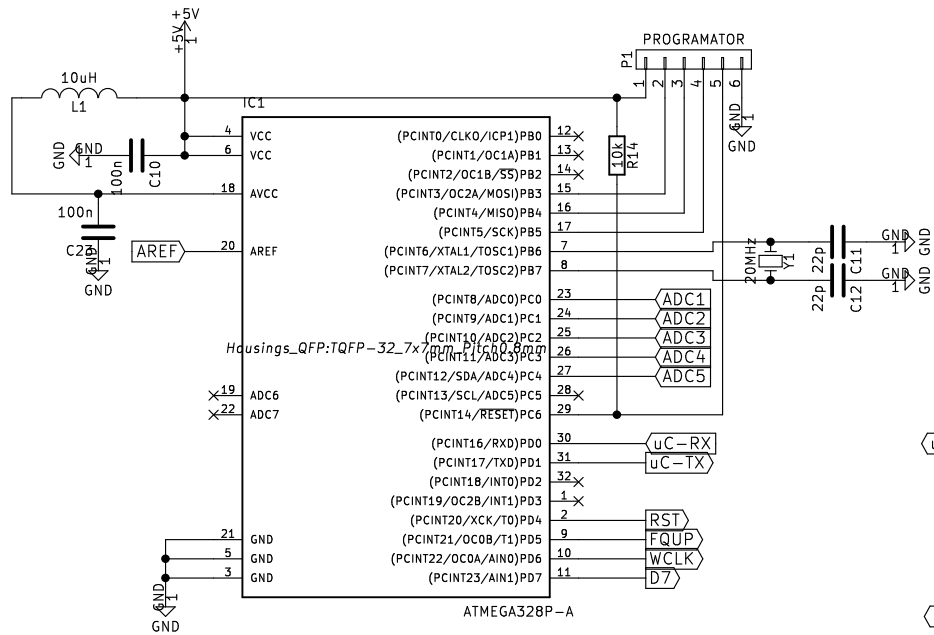
Sheet: /
File: U-VNA.sch

Title: U-VNA by SP3GO

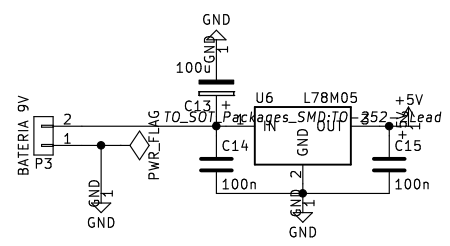
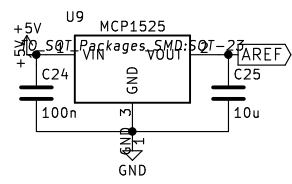
Size: A4 Date: 2016-09-09

KiCad E.D.A. kicad 4.0.3-stable

Rev:
Id: 1/2



konwertery poziomów 3.3V/5V



Sheet: /uC + BT/	
File: U-VNA-uC.sch	
Title: U-VNA by SP3GO	
Size: A4	Date: 2016-09-09
KiCad E.D.A. kicad 4.0.3-stable	Rev: Id: 2/2