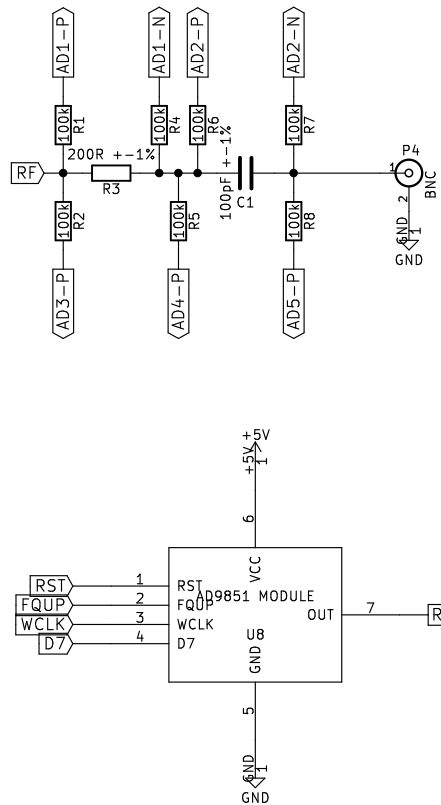
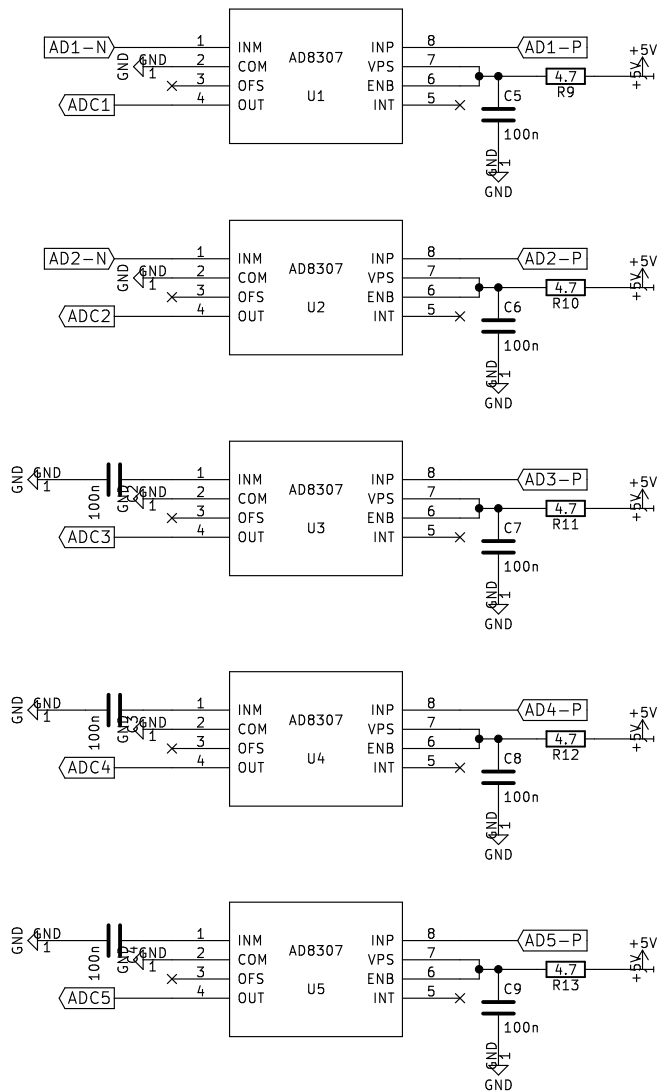


Mierniki

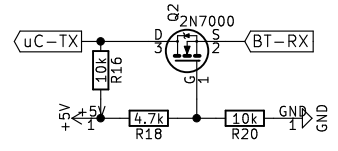
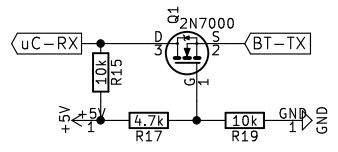
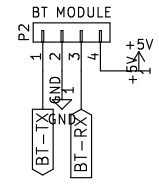
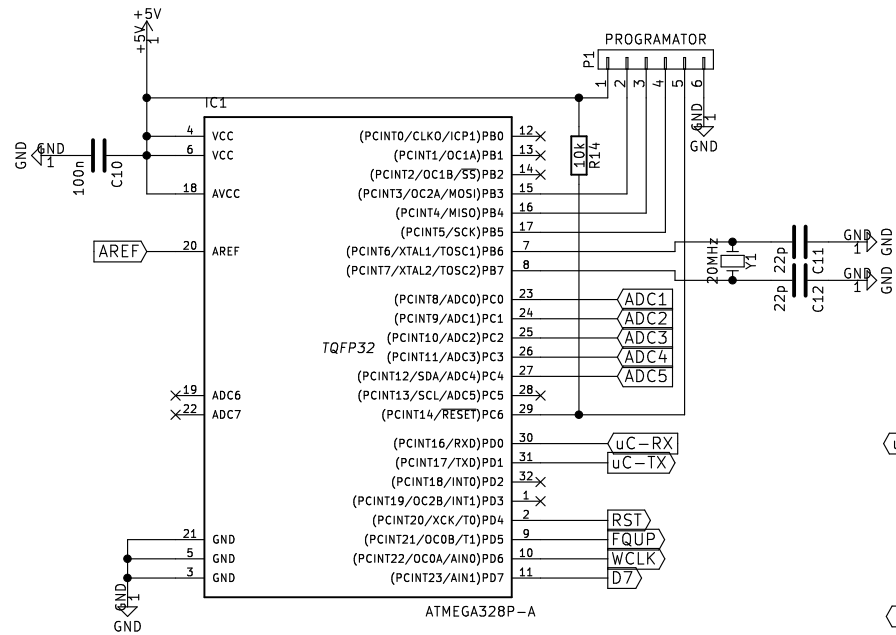
Sieć pomiarowa

Sheet: uC + BT

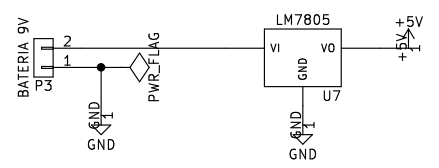
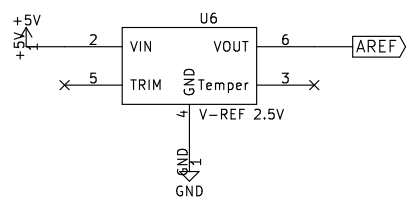
File: U-VNA-uC.sch



Sheet: /	
File: U-VNA.sch	
<b>Title: U-VNA by SP3GO</b>	
Size: A4	Date: 2016-09-09
KiCad E.D.A. kicad 4.0.3-stable	Rev: 1/2



konwertery poziomów 3.3V/5V



Sheet: /uC + BT/	
File: U-VNA-uC.sch	
<b>Title: U-VNA by SP3GO</b>	
Size: A4	Date: 2016-09-09
KiCad E.D.A. kicad 4.0.3-stable	Rev: 2/2